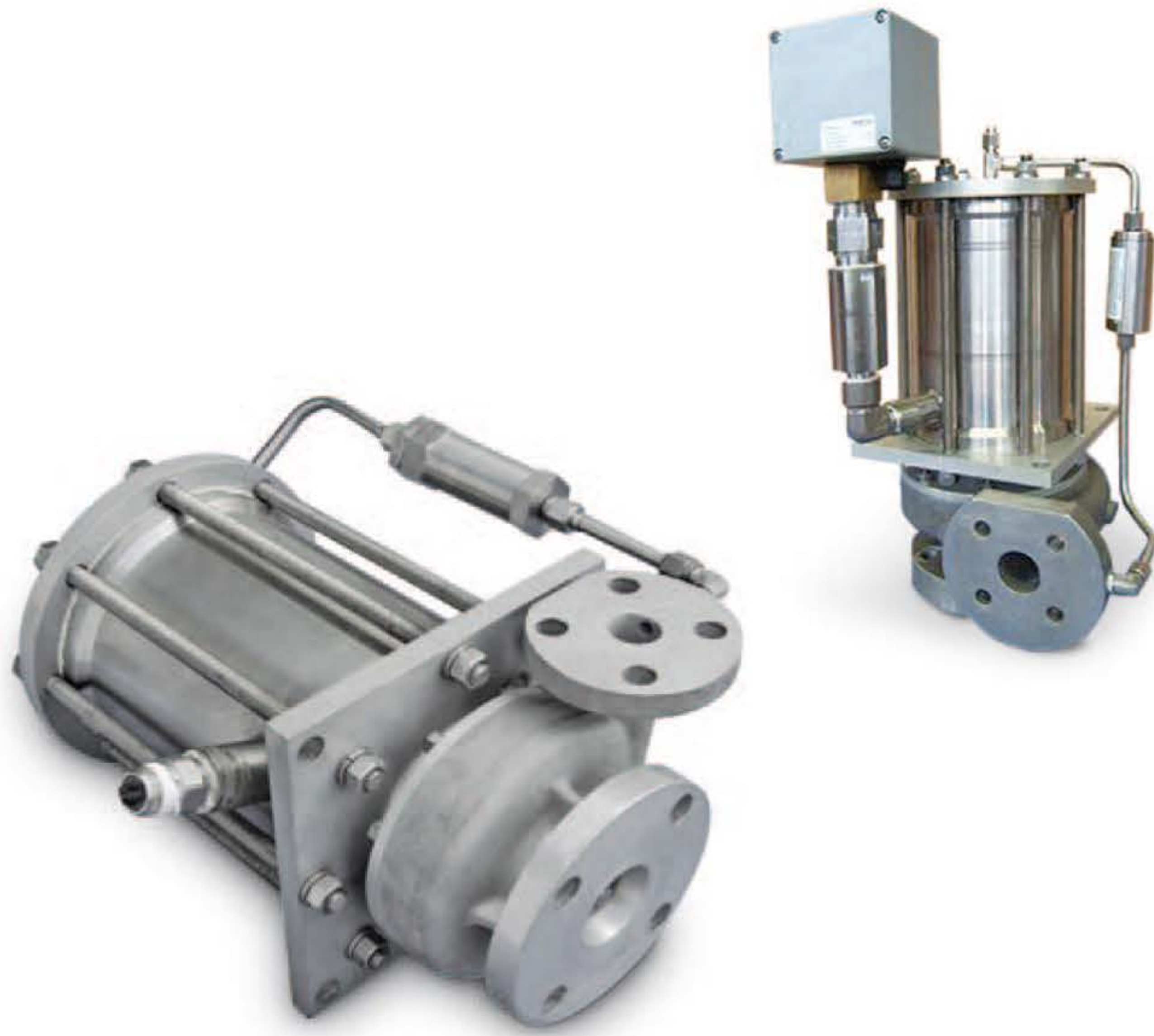




# MODEL AC-32

## VERTICAL SEALLESS PUMP



SPECIFICATIONS		
Flow Range	gpm	4 – 460
	lpm	15 – 1,514
NPSHR	feet	0.5 – 16
	meter	0.15 – 3.67
Differential Head	feet	21 – 625
	meter	6.40 – 207
Pump Design Rating	hp	3 – 25
	kw	2.24 – 19
Speed Range	rpm	1,500 – 7,200

Consult ACD engineering for actual performance ratings.



### FEATURES & BENEFITS

- Pump and motor are fully flooded with liquid, minimizing start-up and downtime and guaranteeing quick, responsive pumping
- Sealless design minimizes maintenance requirements – no mechanical seal
- No sump required – lowers cost
- Sealless zero leakage design is environmentally safe, releasing no volatile organic chemicals and contaminants (VOC's) into the atmosphere
- Multi-frequency motor provides an efficient and broad range of operation and power
- Electrical motor and bearing life is extended being cooled by the cryogen it is pumping, heat input is minimal and carried off by discharging liquid
- Low NPSH inducer coupled with a variable speed soft start motor eliminates cavitation at pump start-up
- Suitable for Class I, Div I (IEC Zone 0 and 1)
- Pass-thru connection

### APPLICATIONS

- LNG filling station pump
- Fuel loading pump
- LNG peaking plant

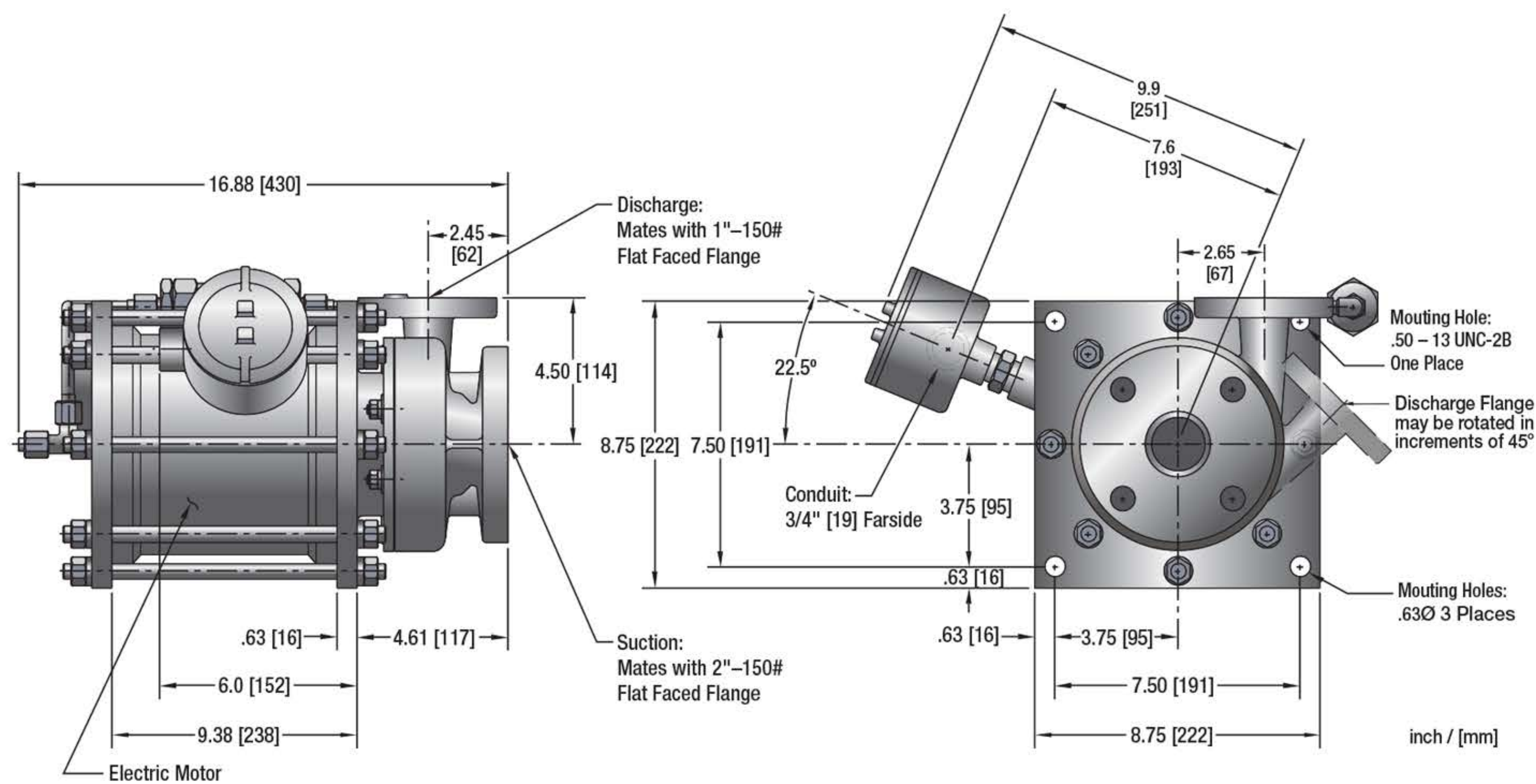
### LIQUIDS PUMPED

- N<sub>2</sub>, Ar, CO<sub>2</sub>
- Methane (LNG), Ethylene (C<sub>2</sub>H<sub>4</sub>)

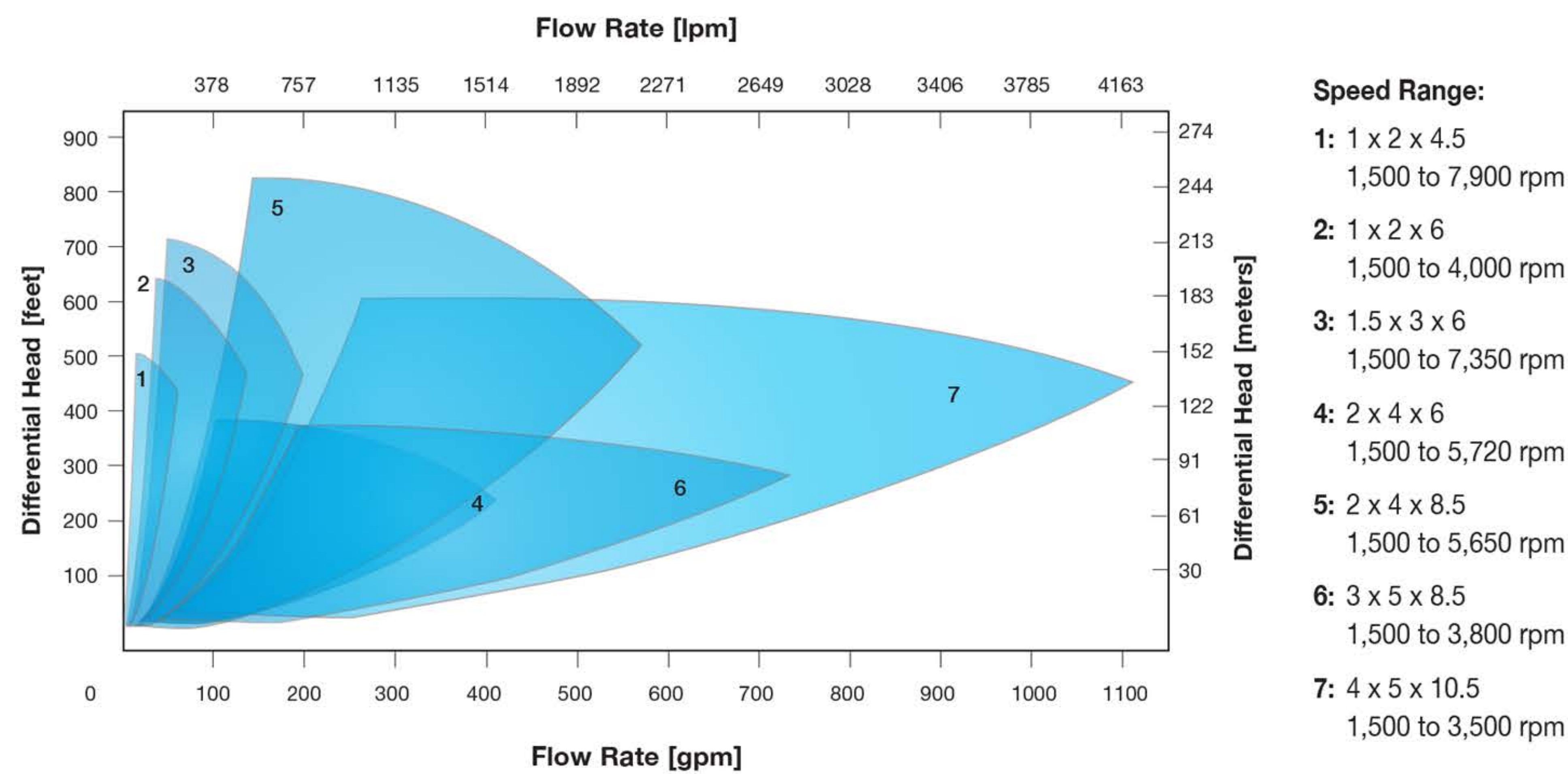
Para más información comuníquese al  
**305.888.5353**  
 o al correo electrónico  
**info@intltec.com**

# MODEL AC-32

## OVERALL DIMENSIONS: TYPICAL



## PUMP PERFORMANCE CURVE



### TYPICAL SCOPE OF SUPPLY

- Pump and integral VFD designed motor with hermetically sealed lead through shown
- Mounting flanges for mating connections
- Electrical pass-thru connection

### OPTIONAL ACCESSORIES

- Variable frequency drive
- Differential pressure gauge
- Loss of prime detector (cavitation protection)
- Stainless steel safety relief valve
- Dual conduit box per NFPA standards for LNG service

## MANUFACTURING



2321 S. Pullman Street  
Santa Ana, CA 92705 USA  
Tel 800.525.4216 (USA only)  
Tel +1.949.261.7533  
Fax +1.949.261.6285  
acd@acdcom.com  
www.acdcom.com

## GLOBAL SERVICE

### NORTH AMERICA

#### Atlanta

Atlanta, Georgia, USA  
+1 404.696.8113 • Fax +1 404.696.8116  
sales@cryoatlanta.com • cryoindservice.com

#### California (ACD Service)

Santa Ana, California, USA  
+1 714.568.0201 • Fax +1 714.641.1921  
service@acdcom.com • acdcom.com

#### Houston

Houston, Texas, USA  
+1 281.590.4800 • Fax +1 281.590.4801  
sales@cihouston.com • cryoindservice.com

#### Pittsburgh

Imperial, Pennsylvania, USA  
+1 724.695.1910 • Fax +1 724.695.1926  
pittcryo@pittcryogenic.com • cryoindservice.com

#### Red Deer

Red Deer, Alberta, Canada  
+1.403.352.4436 • Fax +1.403.352.4439  
sales@cryocanada.com • cryoindservice.com

#### Toronto

Toronto, Ontario, Canada  
+1 416.502.1950 • Fax +1 416.502.1952  
info@cryocanada.com • cryoindservice.com

### INTERNATIONAL

#### Australia

Dandenong, Victoria, Australia  
+61.3.9791.7888 • Fax +61.3.9769.2788  
sales.au@cryoquip.com • cryoquip.com

#### Brasil

São Paulo - SP, Brasil  
Tel/Fax +55.11.2015.4288/4289  
acd@cibrazil.com • cryoindservice.com

#### China

Hangzhou, China  
+86.571.8869.0788 • Fax +86.571.8869.0715  
hci@mail.hz.zj.cn • cryoindservice.com

#### Europe (ACD CRYO)

CH-4142 Muenchenstein Switzerland  
Tel: +41.61.413.0230  
Fax: +41.61.413.0233  
sales@acdcrysto.com • acdcrysto.com

D-79415 Bad Bellingen Germany  
+49.7635.8105.0 • Fax: +49.7635.8965  
info@acdcrysto.com • acdcrysto.com

#### Dubai

United Arab Emirates  
+1.949.838.7023  
acd@acdcom.com • acdcom.com

#### India

A Division of Rhine Engineering Pvt. Ltd.  
Vadodara, Gujarat, India  
+91.265.283.0113 • Fax +91.265.283.0112  
info@acdcom.com • acdcom.com

#### Kolkatta, West Bengal, India

+91.973.216.0010  
rmukherjee@acdindia.com • acdcom.com

#### Korea

Yongin-si, Gyeonggi-do, Korea  
+82.31.286.6114 • Fax +82.31.286.6118  
info@ci-korea.co.kr • cryoindservice.com

#### Malaysia

Shah Alam, Selangor D.Ehsan, Malaysia  
+603.5740.8770 • Fax +603.5740.8775  
cryogen@po.jaring.my • cryoindservice.com

Bulletin No. ACD AC32-R3.12

© 2012 ACD LLC, Printed in USA

SPECIFICATIONS SUBJECT TO CHANGE WITHOUT NOTICE

Para más información comuníquese al  
305.888.5353  
o al correo electrónico  
info@intltec.com



# INTERNATIONAL TECHNISYSTEMS INC.