



## Model CP/AC & DCP/DAC

### Applications

- ▶ Truck and trailer off-loading
- ▶ Liquid storage transfer
- ▶ Pipeline backup
- ▶ Laboratory research

### Features & Benefits

- ▶ Hydraulic design provides higher efficiencies, even at higher speeds
- ▶ Rugged design allows for intermittent or continuous duty
- ▶ Strong intermediate construction allows for installation and operational imperfections
- ▶ All pumps supplied with inducers for low NPSH requirements

#### Gearbox Version (CP/AC)

- ▶ Compact design with heavy duty splash lubricated gearbox yields reliable operation and lower than average noise levels

#### Direct Coupled Version (DCP/DAC)

- ▶ High frequency inverter duty motors are available to provide a wide operating range and better speed control
- ▶ For CO<sub>2</sub> and N<sub>2</sub>O applications, specially designed pressure balanced mechanical seals are used to reduce sensitivity due to pressure loss which increases pump life

### Liquids Pumped

- ▶ O<sub>2</sub>, N<sub>2</sub>, Ar
- ▶ CO<sub>2</sub>, N<sub>2</sub>O

### DCP/DAC 180



### CP/AC 180



### Specifications

#### Flow Rate

gpm	25 – 160
lpm	95 – 610

#### HP Rating

kw	5.5 – 37
hp	7.5 – 50

#### NPSHR

feet	5 – 9.8
meters	1.5 – 3

#### RPM Range

rpm	1,400 – 8,550
-----	---------------

#### Differential Head

feet	49 – 1,476
meters	15 – 450

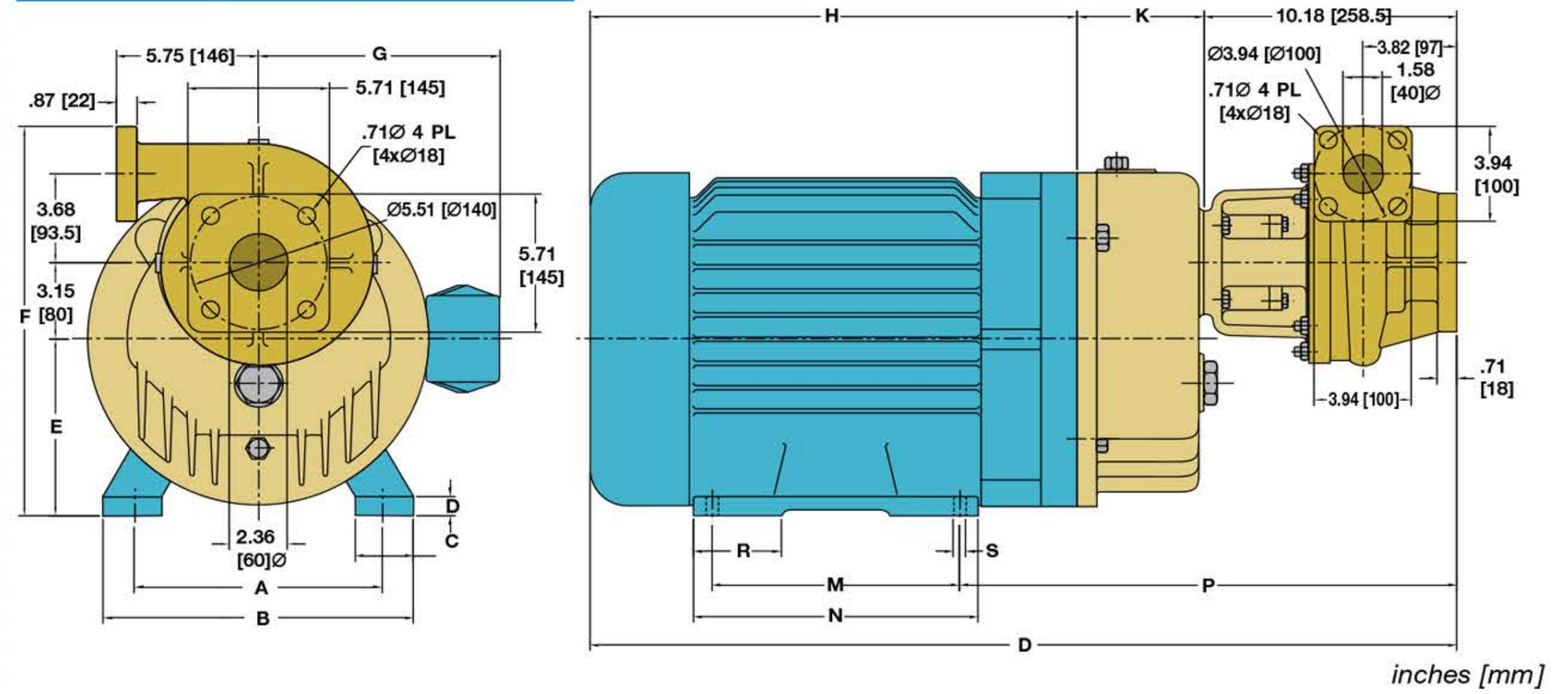
Para más información comuníquese al  
305.888.5353  
o al correo electrónico  
info@intltec.com



**INTERNATIONAL  
TECHNISYSTEMS INC.**

# Model CP/AC & DCP/DAC

## Dimensions



HP [kW]	TYPE	A	B	C	D	E	F	G	H	K	M	N	O	P	R	S	T	LBS [kg]
14.8/20 [11/15]	160M	10 [254]	12.5 [318]	2.6 [66]	.87 [22]	6.3 [160]	15.1 [383.5]	9.8 [248]	18.8 [478]	5.1 [130]	8.3 [210]	10.2 [260]	34.1 [866]	19.6 [497]	2.2 [56]	.51 [13]	13.7 [350]	330.7 [150]
24.8 [18.5]	160L	10 [254]	12.5 [318]	2.6 [66]	.98 [25]	6.3 [160]	15.1 [383.5]	9.8 [248]	20.6 [522]	5.1 [130]	10 [254]	11.9 [304]	35.8 [910]	19.6 [497]	2.2 [56]	.51 [13]	13.8 [350]	363.7 [165]
29.5 [22]	180M	11 [279]	13.6 [345]	2.8 [70]	1.10 [28]	7.1 [180]	15.9 [403.5]	11 [280]	21.1 [536]	5.1 [130]	9.5 [241]	11.8 [300]	36.4 [924]	20.1 [510]	3.1 [80]	.59 [15]	13.8 [350]	388 [176]

\* Dimensions for 120 and 220 sizes are available upon request.

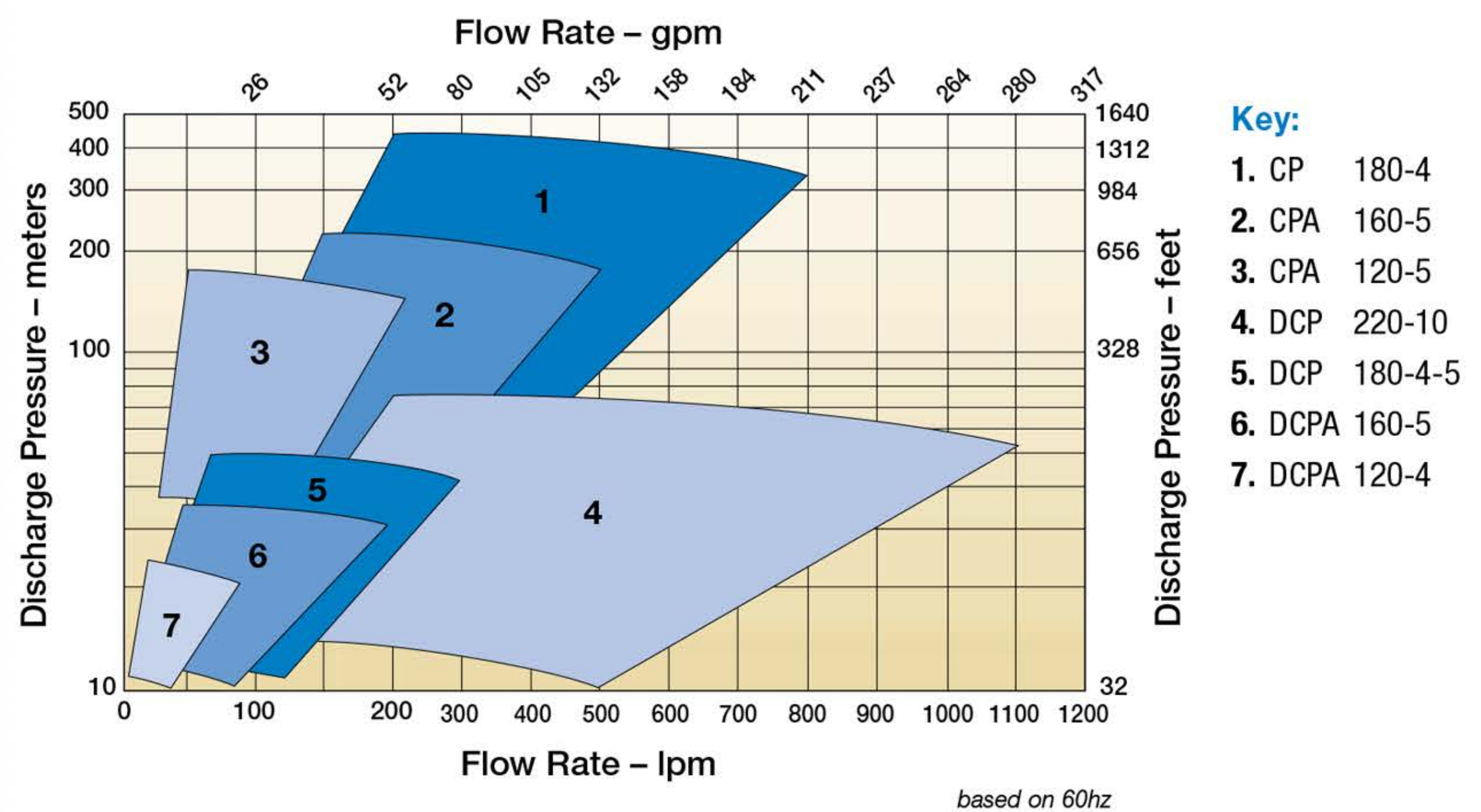
### Scope of Supply

- ▶ Pump and electric motor
- ▶ Inducer
- ▶ ELF mechanical seal (most models), non-CO<sub>2</sub> and N<sub>2</sub>O

### Optional Accessories

- ▶ Labyrinth seal for continuous duty operation with seal gas purge panel
- ▶ Skid arrangement with accessories installed
- ▶ Automatic control system
- ▶ Recommended spare parts kits

## Pump Performance Map



## Worldwide Sales & Service Centers



2321 S. Pullman Street  
Santa Ana, CA 92705 USA  
Tel 800.525.4216 (USA only)  
Tel +1.949.261.7533  
Fax +1.949.261.6285  
acd@acdcom.com  
www.acdcom.com



Gutenbergstrasse 1  
CH-4142 Muenchenstein  
Switzerland  
Tel +41.61.413.0230  
Fax +41.61.413.0233  
sales@acdcrysto.com  
www.acdcrysto.com

Rheinauenstrasse 2  
D-79415 Bad Bellingen  
Germany  
Tel +49.7635.8105.0  
Fax +49.7635.8965  
info@acdcrysto.com  
www.acdcrysto.com

**Cryogenic Industries - Headquarters**  
25720 Jefferson Avenue  
Murrieta, CA 92562 USA  
Tel +1 909.696.7840  
Fax +1 909.698.7484  
info@cryoind.com  
www.cryoind.com

**CryoAtlanta, Inc.**  
370 Great Southwest Parkway, Suite F  
Atlanta, GA 30336 USA  
Tel 888.217.9355 (USA only)  
Tel +1 404.696.8113  
Fax +1 404.696.8116  
tfarmer@bellsouth.net  
www.cryoatlanta.com

**CryoCal, Inc.**  
2110 S. Lyon Street, Unit H  
Santa Ana, CA 92705 USA  
Tel +1 949.724.8636  
Fax +1 714.641.1921  
cryocal@mgci.com  
www.cryocal.com

**CryoCanada Incorp.**  
530 McNicoll Avenue  
North York, Ontario M2H 2E1, Canada  
Tel +1 416.502.1950  
Fax +1 416.502.1952  
cryocan@istar.ca  
www.cryocanada.com

**Cryogenic Industries - Houston**  
14014 Interdrive East  
Houston, TX 77032 USA  
Tel +1 281.590.4800  
Fax +1 281.590.4801  
sales@cihouston.com  
www.cihouston.com

**Cryogenic Industries - Malaysia**  
Lot 35, Jalan Selat Selatan 21  
Sobena Jaya, Pandamaran  
42000 Port Klang, Selangor, Malaysia  
Tel +60 (3) 3165.4801  
Fax +60 (3) 3165.4798  
rmross1@attglobal.net

**Cryogenic Industries - China**  
218 Tian Mu Shan Road  
Hangzhou, 310007, China  
Tel +86 571.888.59026  
Fax +86 571.888.59025  
hci@mail.hz.zj.cn

**Cryoquip - Australia**  
14 Zenith Road  
Dandenong, Victoria 3175, Australia  
Tel +61.3.9791.7888  
Fax +61.3.9769.2788  
rday@iwi.com.au  
www.cryoquip.com

**Pittsburgh Cryogenic Services, Inc.**  
767 State Route 30  
Imperial, PA 15126 USA  
Tel 800.327.6461 (USA only)  
Tel +1 724.695.1910  
Fax +1 724.695.1926  
pittcryo@pittcryogenic.com  
www.pittcryogenic.com



Members of CRYOGENIC INDUSTRIES

Bulletin No. ACD CP/DCP-R1.02

Para más información comuníquese al  
305.888.5353  
o al correo electrónico  
info@intltec.com



**INTERNATIONAL  
TECHNISYSTEMS INC.**