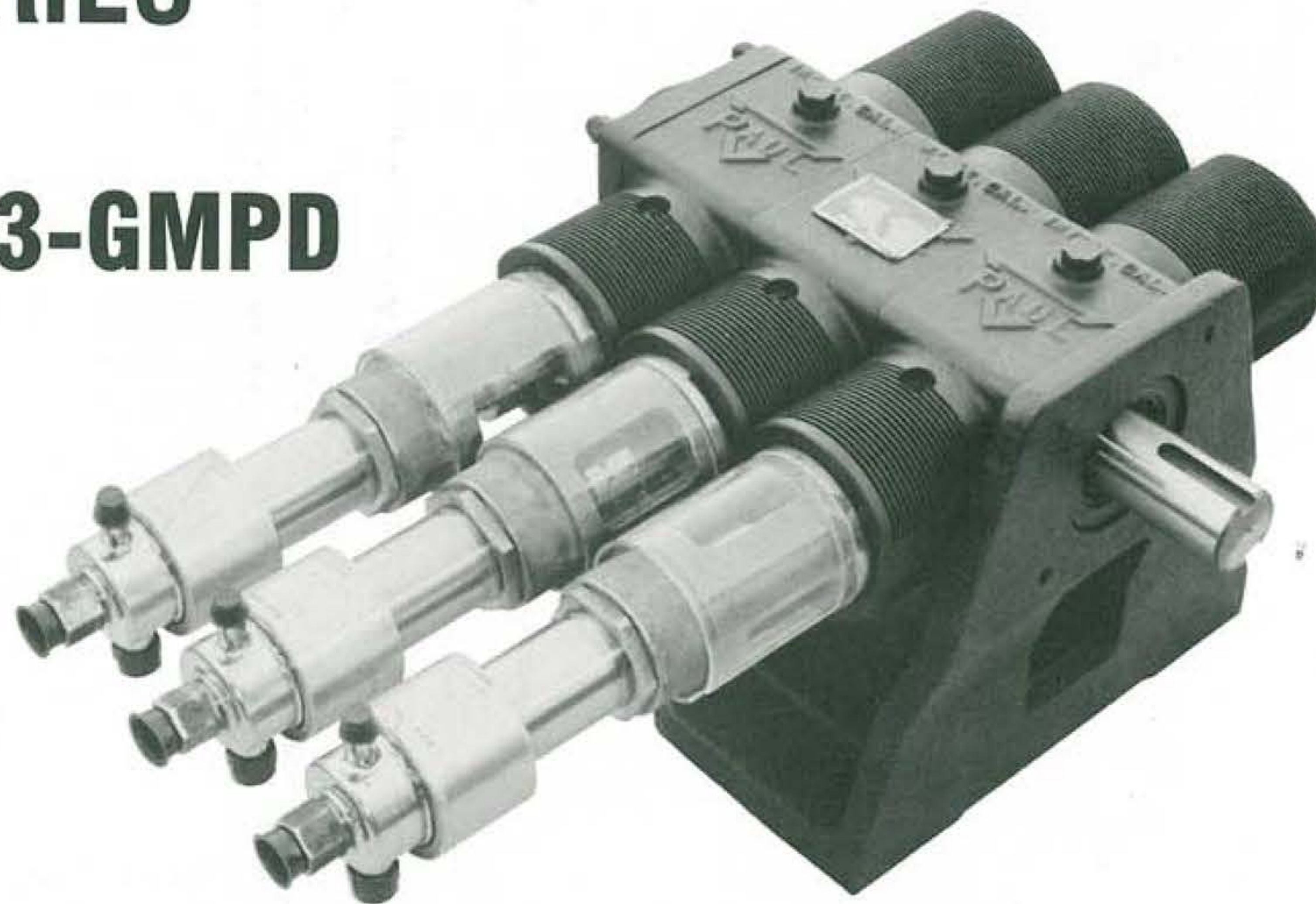


## GMPD SERIES

### 3-GMPD



For field-proven reliability in pumps, rely on the industry standard. Rely on the GMPD Series from ACD, the ones you'll find in service wherever high-pressure cryogenic fluids are stored, transported, and handled.

These rugged, compact positive displacement pumps are available in 1, 2, or 3 cylinder configurations. Modular construction along with the oil-lubricated drive end make these pumps of choice for a variety of well-service applications.

Heavy duty, lightweight construction affords minimal cool-down losses and economical operation. Plus, these hardworking pumps can be belt-driven from electric drive motors or foot-mounted for use with hydraulic drives and are applicable for continuous or intermittent duty service.

### Specifications

#### Liquids Pumped

- Oxygen
- Nitrogen
- Argon

#### Maximum Discharge Pressure

- 10,000 psig

#### Maximum Suction Pressure

- 300 psig

#### Maximum Speed

- 1100 RPM

#### Flow Ranges

- 3-23 GPM

#### Required NPSP

- 30 psig

#### Maximum Shaft Horse Power

- 100 H.P.

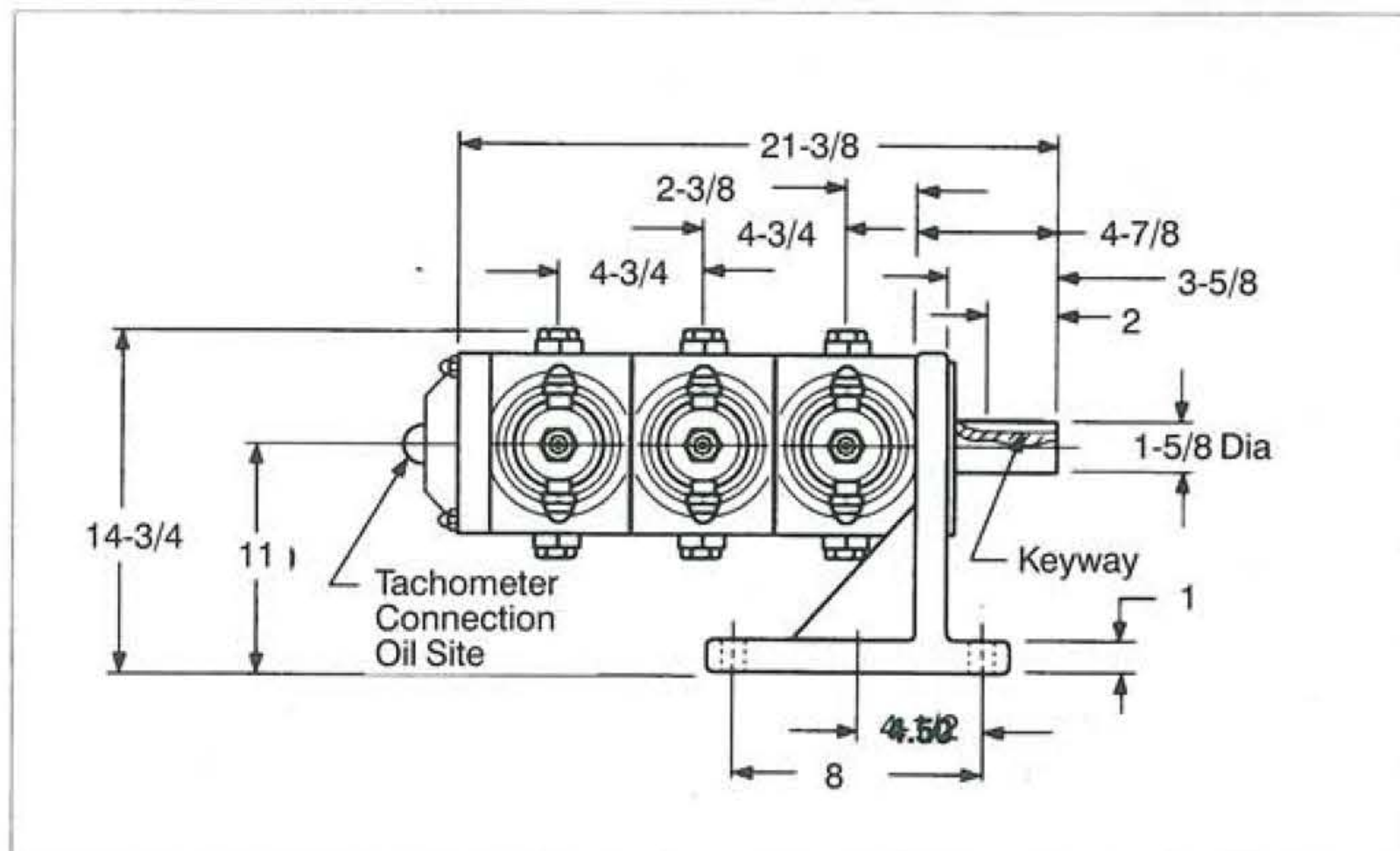
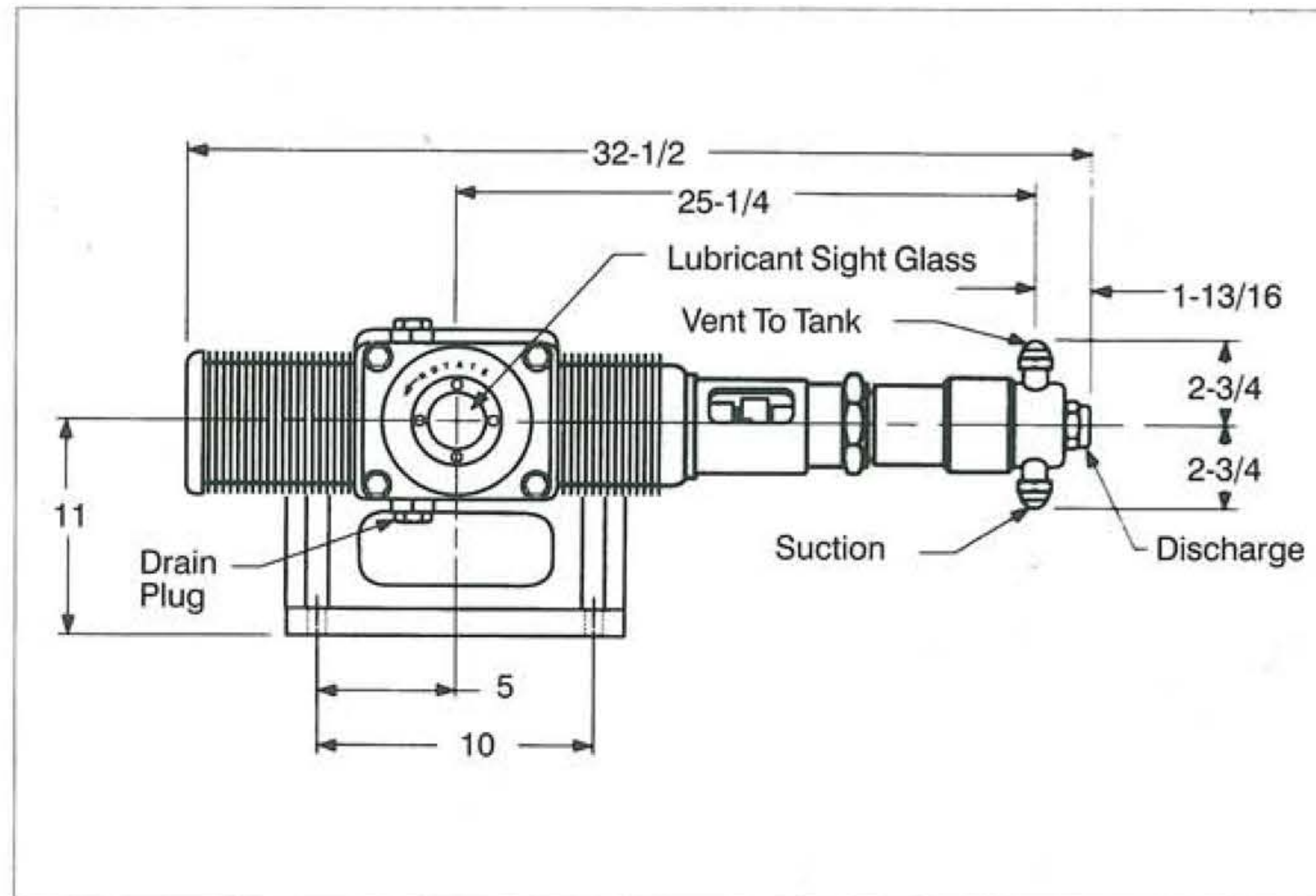
## WELL SERVICE RECIPROCATING PUMPS

Bulletin No. ACD-R-108 Rev. A

# WELL SERVICE RECIPROCATING PUMPS

## GMPD SERIES

### Pump Dimensions (inches)

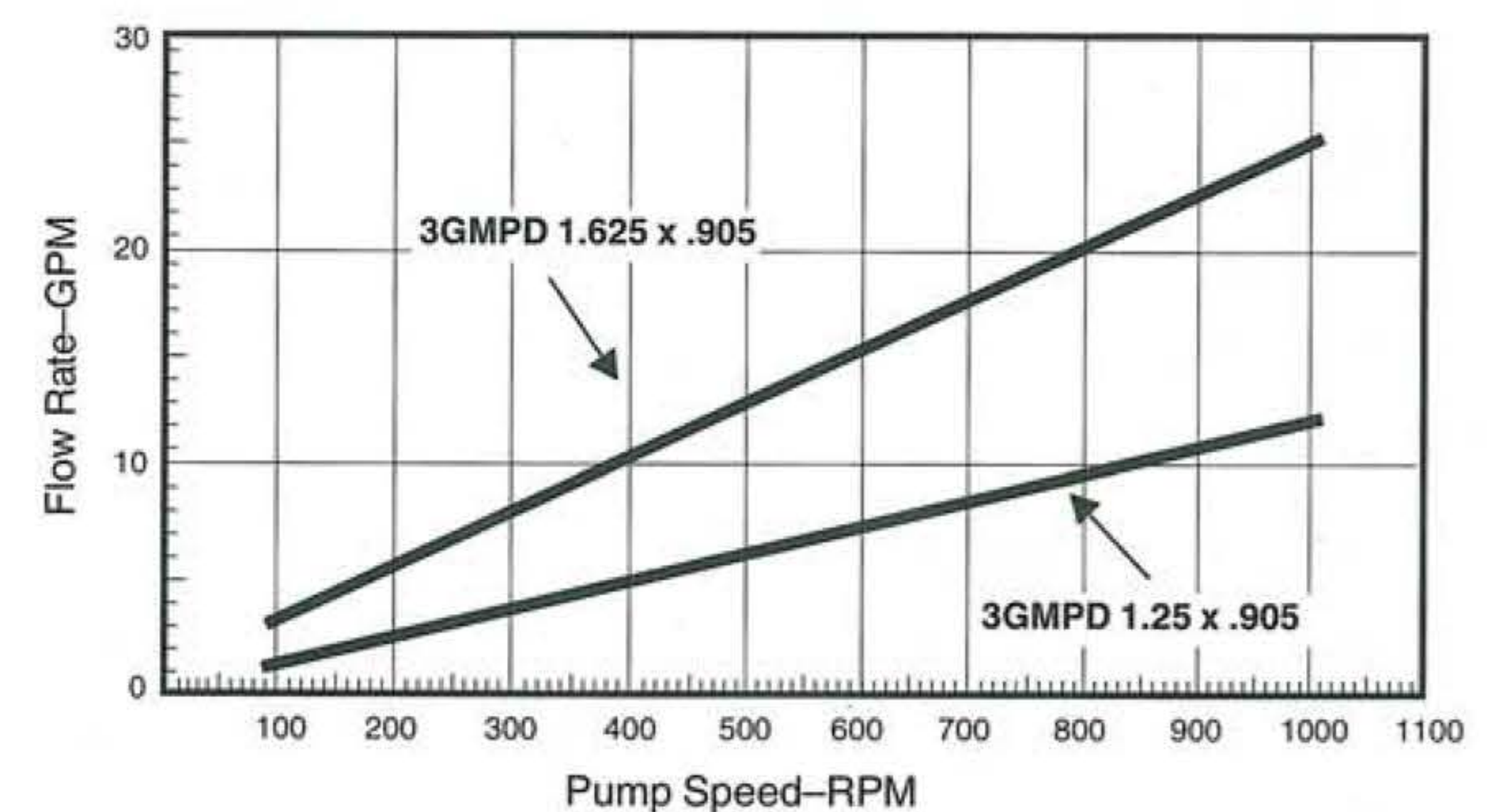
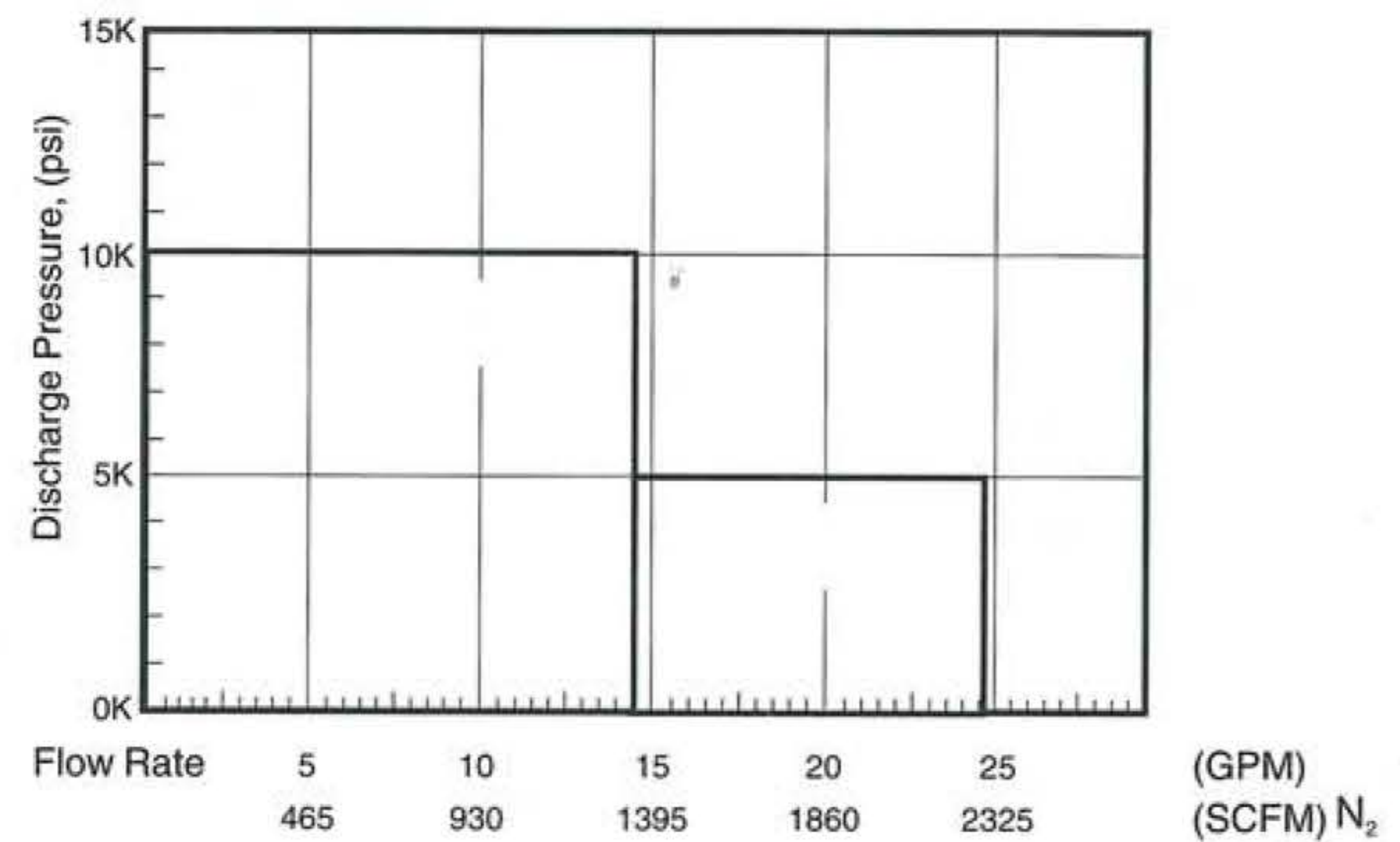


\*Performance and installation data should be used for reference only.  
Contact ACD, Inc. if certified information is required.

### Scope of Supply

- Non-vacuum jacketed cold-end
- Positive locking drive coupling
- Splash oil lubricated drive-end
- Modular constructed drive-end assembly

### Pump Performance Chart



2321 S. Pullman St., Santa Ana, CA 92705 Phone: 714/261-7533 Fax: 714/261-6285 1-800-525-4216

**ACD, Inc.**  
2321 S. Pullman St.  
Santa Ana, CA 92705  
Phone: 714/261-7533  
800/525-4216 (Customer Service)  
Fax: 714/261-6285

**Service Centers**  
Pittsburgh Cryogenic Services, Inc.  
767 State Route 30  
Imperial, PA 15126  
Phone: 412/695-1910  
Fax: 412/695-1926

Cryocal  
2110 S. Lyon St. Unit H  
Santa Ana, CA 92705  
Phone: 714/724-8636  
Fax: 714/641-1921

CryoCanada Inc.  
530 McNicoll Ave.  
North York, Ontario  
Canada M2H 2E1  
Phone: 416/502-1950  
Fax: 416/502-1952

Specifications subject to change without notice. ©ACD, Inc. Printed in U.S.A.

**ACD Representative:**

Bulletin No. ACD-R-108 Rev. A

Para más información comuníquese al  
305.888.5353  
o al correo electrónico  
info@intltec.com



**INTERNATIONAL**  
**TECHNISYSTEMS INC.**