

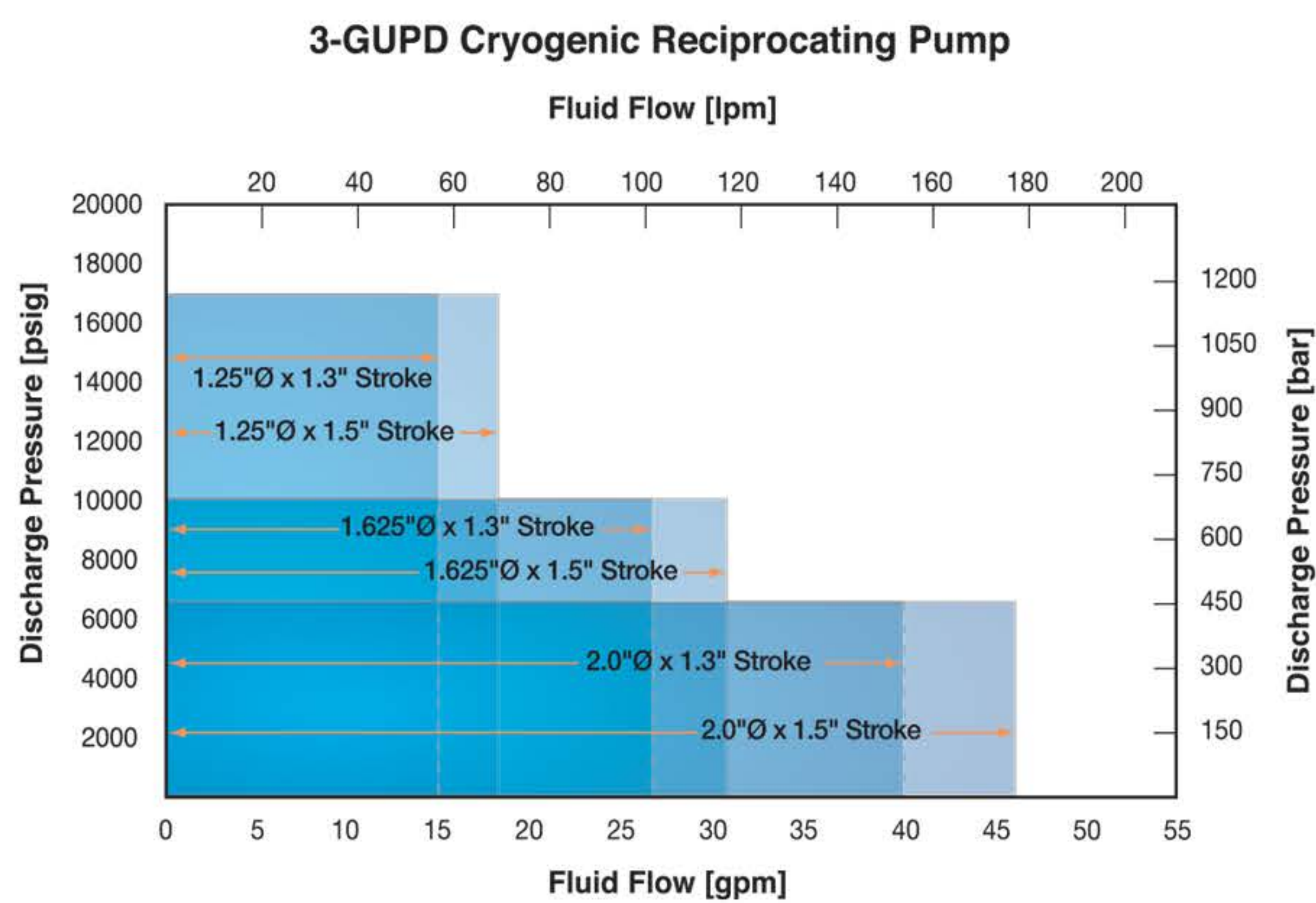


GUPD

Features & Benefits

- Main shaft is pressure lubricated minimizing wear and tear on bearings/crosshead piston while keeping all components cool
- Compatible with SG cold ends expanding capabilities. All cold ends have minimal material for quick cool-down and minimal wear and tear at start-up
- Digital Tachometer Port

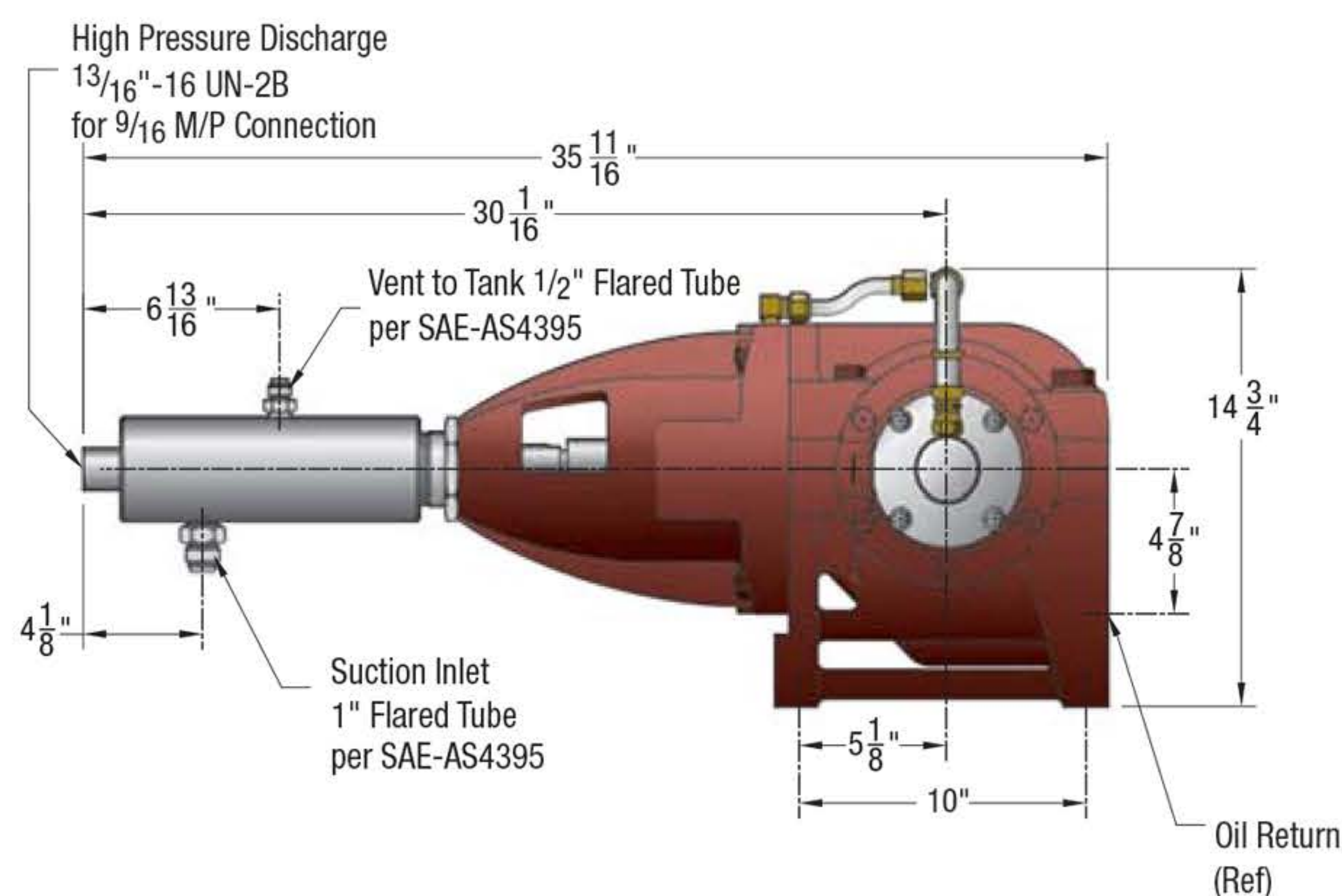
Pump Performance Map



SG Cold End

Nitrogen Lift - Coiled Tubing Operations

Nitrogen lifting is a common technique used to initiate production on a well following workover or overbalanced completion. ACD's GUPD pumps inject nitrogen into the fluid column to displace liquids and reduce the hydrostatic pressure created by the fluid column. A coiled tubing string is generally used to apply the treatment, which involves running to depth while pumping high-pressure nitrogen gas. Once the kill-fluid column is unloaded and the well is capable of natural flow, the coiled tubing string is removed and the well is prepared for production.



1.25"Ø, 1.625"Ø, and 2"Ø Bore Cold Ends

