

# HD4

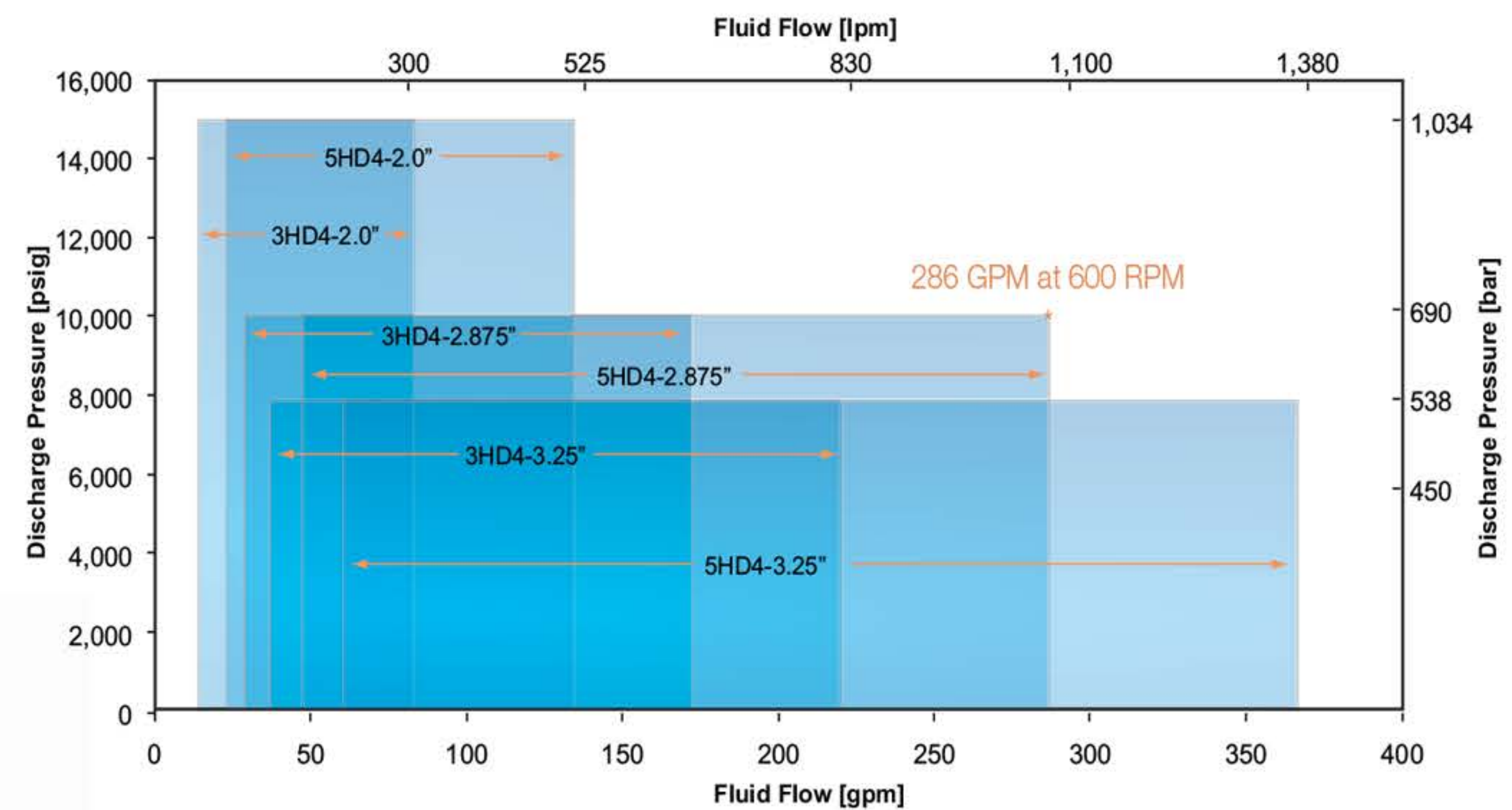
## Enhanced Oil Recovery

ACD's high pressure nitrogen pumps are used in Enhanced Oil Recovery (EOR) operations to restore formation pressure and also to improve oil displacement or fluid flow in the oil reservoir. One of the major types of enhanced oil recovery operations is miscible displacement thru the injection of nitrogen into the well.

ACD's pumping units are capable of delivering high-purity nitrogen gas for use in oil or gas wells at extremely high pressures and flows. A typical nitrogen converter includes one of five different ACD high pressure cryogenic reciprocating pumps.

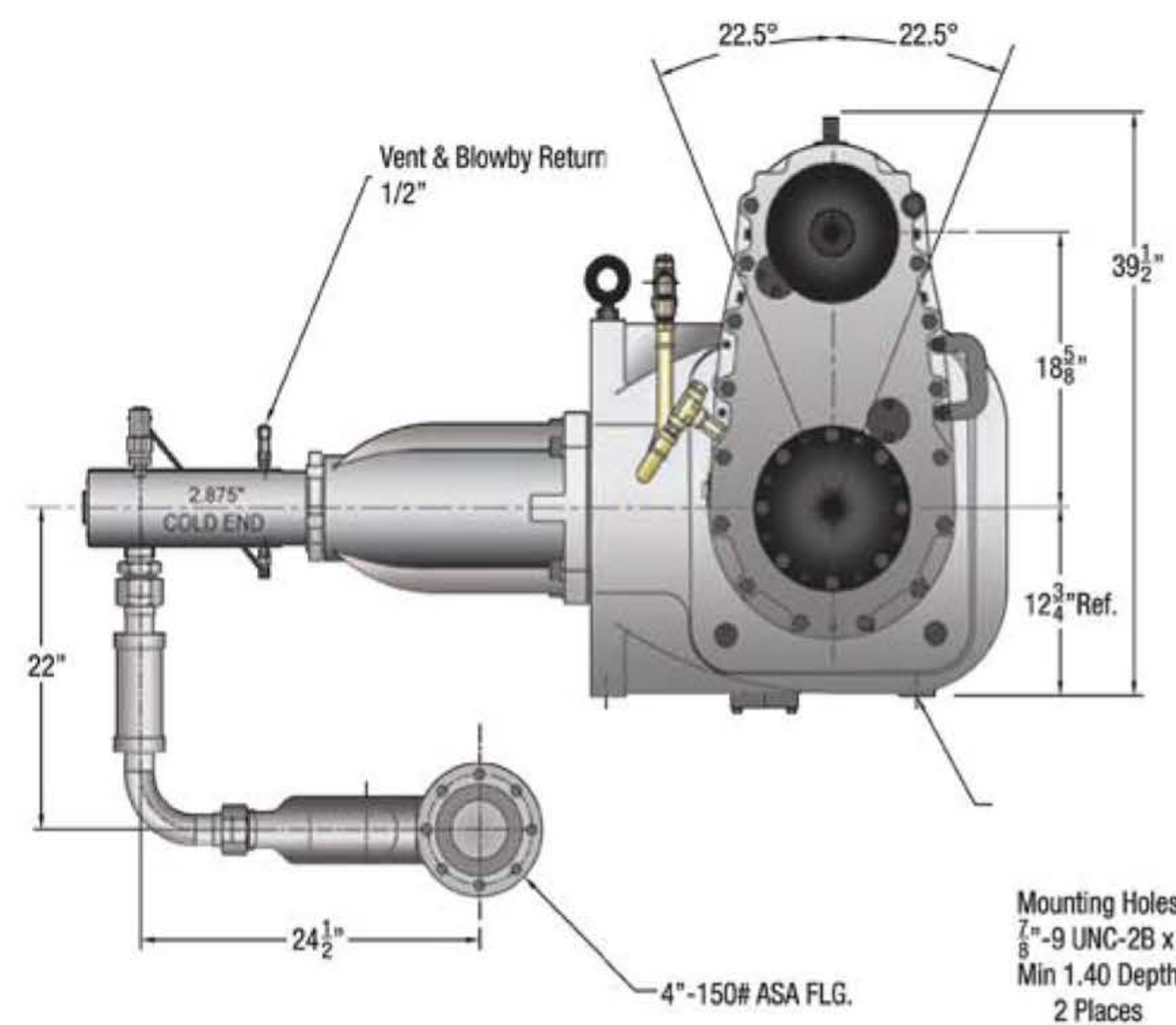
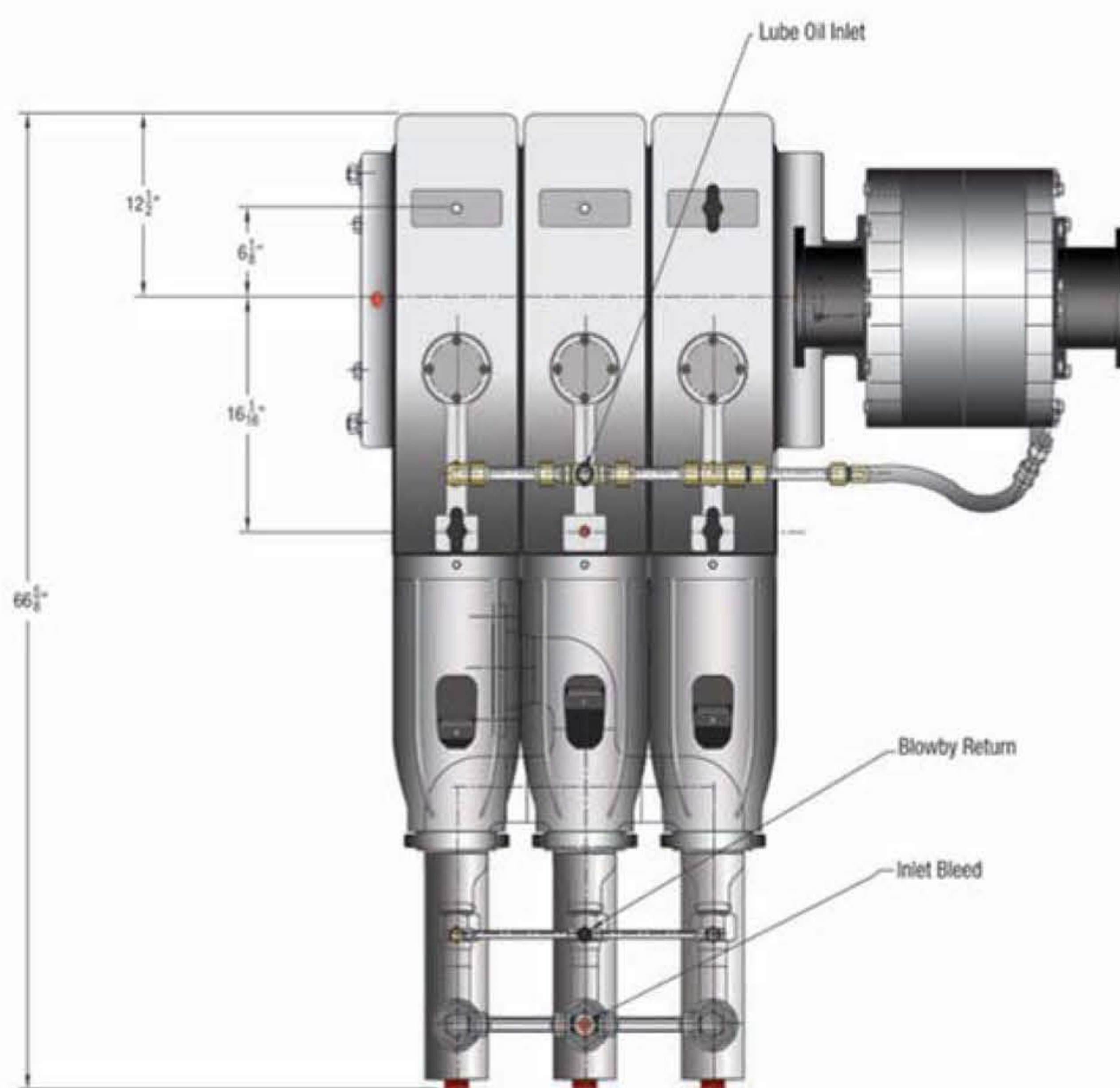


## Pump Performance Map



## Features & Benefits

- 4" stroke cold end allows for higher flows at lower speeds
- Lower operating speeds extend product life
- Shaft design integrates eccentrics to eliminate parts and reduce maintenance costs
- Drive end design allows connecting rods to be disassembled without teardown of complete assembly



Enhanced Oil Recovery **3**

Para más información comuníquese al  
305.888.5353  
o al correo electrónico  
info@intltec.com



**INTERNATIONAL  
TECHNISYSTEMS INC.**