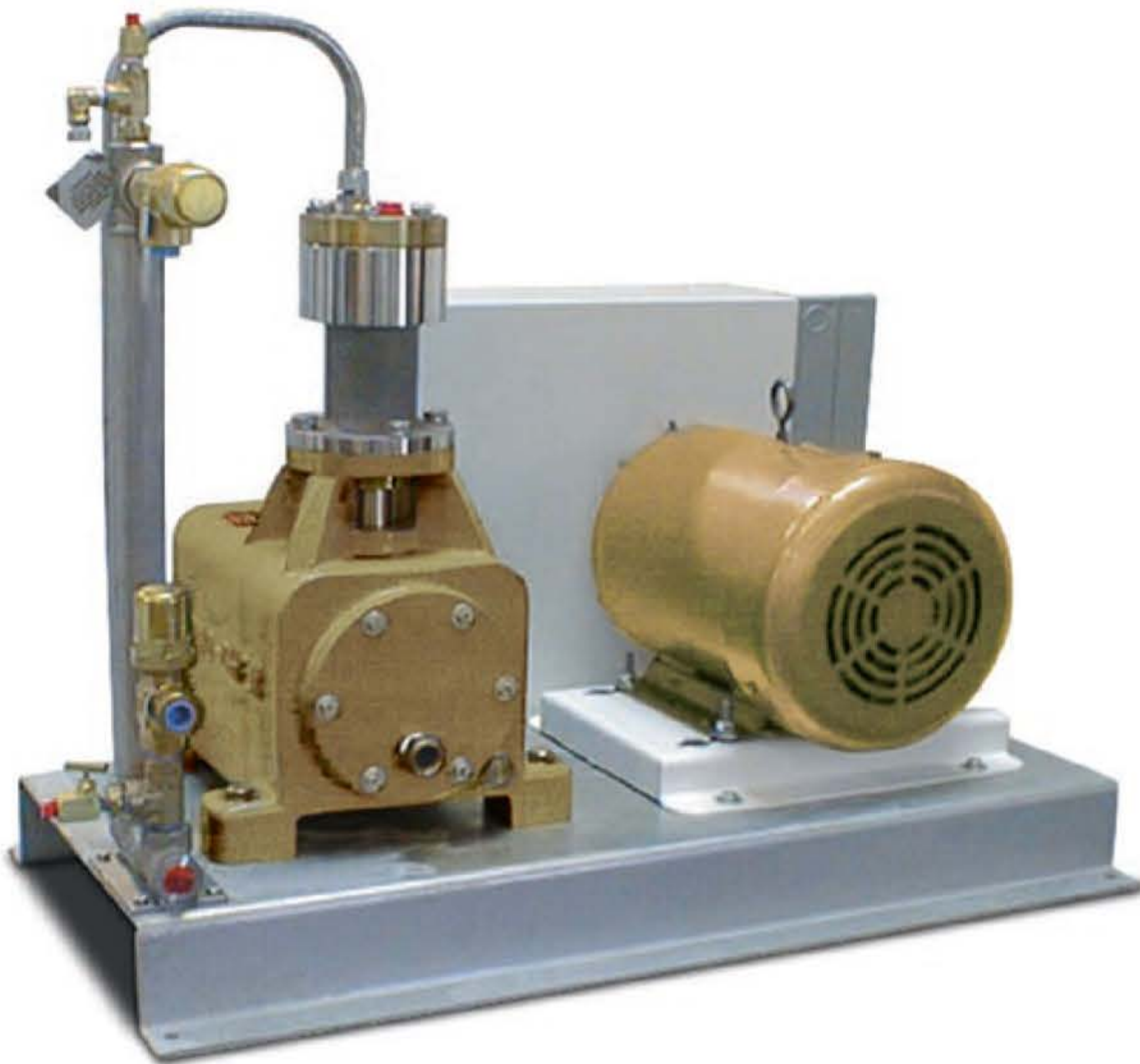


P1100 SERIES

CYLINDER FILLING PUMP



SPECIFICATIONS

Flow Rate	gpm	5.8	
	lpm	21.9	
	lb/min	50	
Suction Pressure	psi	Min.	200
		Max.	450
	bar	Min.	13.7
		Max.	31
Pump Design Rating @1000 psi (69 bar)	hp	7.5	
	kw	5.6	
Maximum Working Pressure	psi	1,200	
	bar	82.7	
Skid Settings	High pressure relief valve setting 1,200 psi (82.7 bar) High pressure bypass relief valve setting 1,000 psi (69 bar) Burst disc pressure point 2000 psi (138 bar)		

60 HZ performance

FEATURES & BENEFITS

- Vertically positioned floating piston means longer life
- Simple cold end design assembly, easy maintenance
- Large piston diameter and longer pump stroke mean slower speeds and smooth operation
- Pump packing is easily adjusted through a large access port, which allows for extended packing life
- Splash oil lubricated drive provides extended pump life and minimizes maintenance requirements

APPLICATIONS

- Carbon dioxide cylinder filling
- Nitrous oxide cylinder filling

LIQUIDS PUMPED

- Carbon dioxide
- Nitrous oxide

TYPICAL SCOPE OF SUPPLY

- Cold end and drive assembly, TEFC electric motor
- Galvanized steel base plate with drive and guard
- NEMA 1 pushbutton starter
- Surge chamber
- Relief valve and burst disc
- Pressure gauge and snubber
- Safety bypass relief valve arrangement automatically returns liquid to tank at 1000 psi (69 bar)
- Oil lubricated drive end (oil shipped loose)

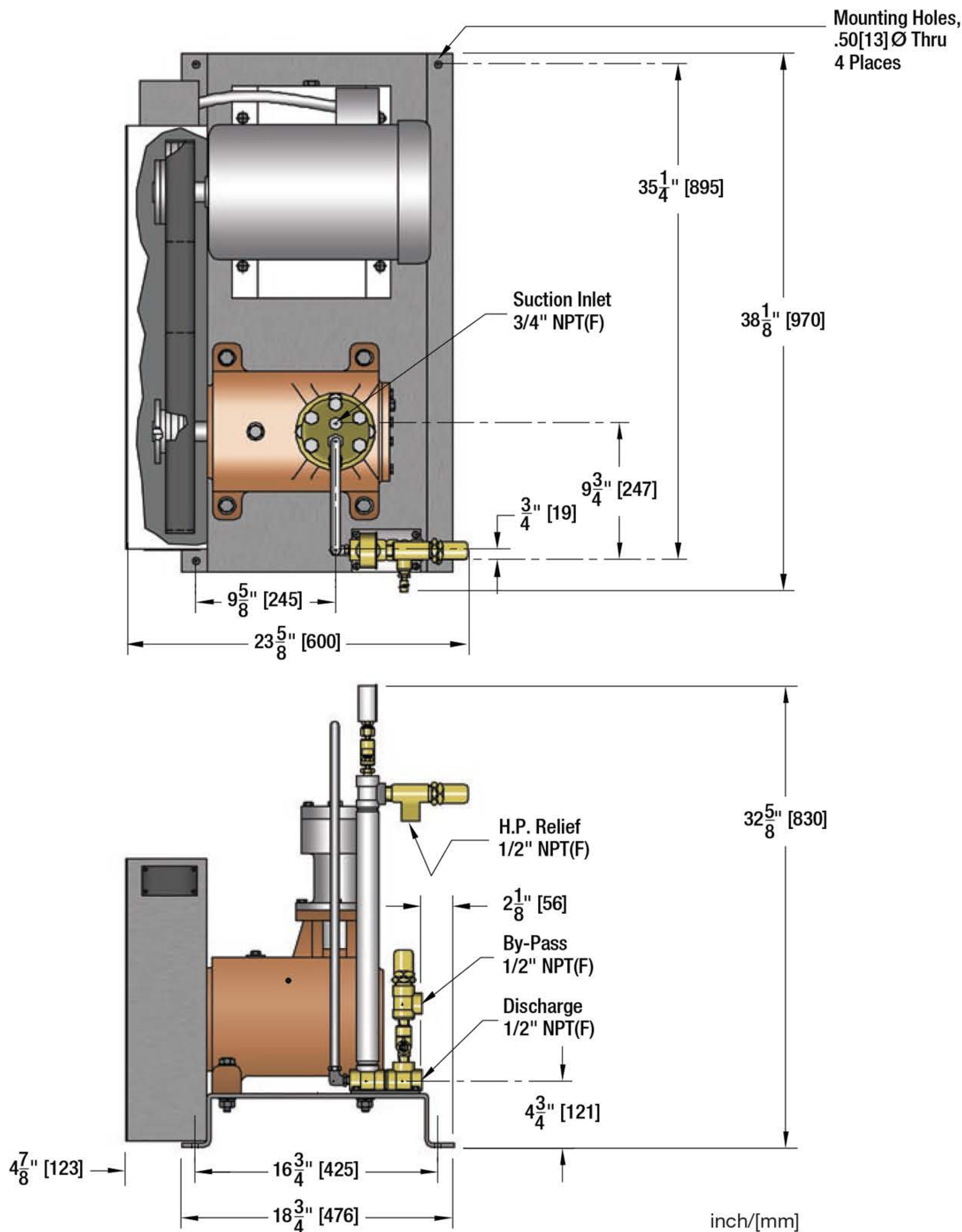
Para más información comuníquese al
305.888.5353
o al correo electrónico
info@intltec.com



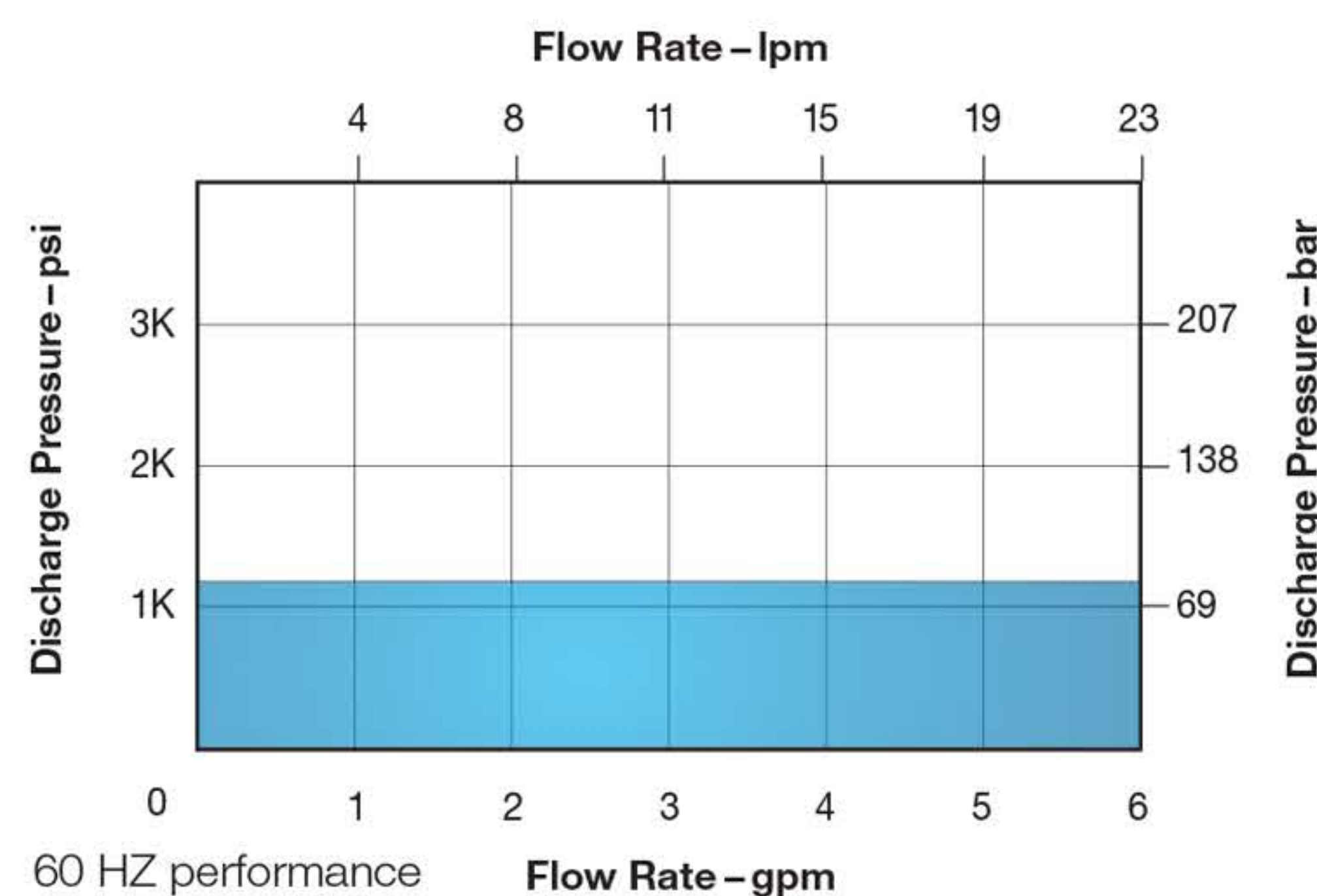
**INTERNATIONAL
TECHNISYSTEMS INC.**

P1100 SERIES

OVERALL DIMENSIONS: TYPICAL P1100 SKID



PUMP PERFORMANCE MAP



OPTIONAL ACCESSORIES

- Dual cylinder manifold with bypass and adjustable pressure regulator
- NEMA 4 pushbutton starter

MANUFACTURING



2321 S. Pullman Street
Santa Ana, CA 92705 USA
Tel 800.525.4216 (USA only)
Tel +1.949.261.7533
Fax +1.949.261.6285
acd@acdllc.com • acdllc.com



Gutenbergstrasse 1
CH-4142 Muenchenstein Switzerland
Tel: +41.61.413.0230
Fax: +41.61.413.0233
sales@acdryo.com • acdryo.com

GLOBAL SERVICE

NORTH AMERICA

Atlanta

Atlanta, Georgia, USA
+1 404.696.8113 • Fax +1 404.696.8116
sales@cryoatlanta.com • cryoindservice.com

California

Santa Ana, California, USA
+1 949.724.8636 • Fax +1 714.641.1921
sales@cryocal.com • cryoindservice.com

Houston

Houston, Texas, USA
+1 281.590.4800 • Fax +1 281.590.4801
sales@cihouston.com • cryoindservice.com

Pittsburgh

Imperial, Pennsylvania, USA
+1 724.695.1910 • Fax +1 724.695.1926
pittcryo@pittcryogenic.com • cryoindservice.com

Red Deer

Red Deer, Alberta, Canada
+1.403.352.4436 • Fax +1.403.352.4439
sales@cryocanada.com • cryoindservice.com

Toronto

Toronto, Ontario, Canada
+1 416.502.1950 • Fax +1 416.502.1952
info@cryocanada.com • cryoindservice.com

INTERNATIONAL

Australia

Dandenong, Victoria, Australia
+61.3.9791.7888 • Fax +61.3.9769.2788
sales.au@cryoquip.com • cryoquip.com

Brasil

São Paulo - SP, Brasil
+55 11 2341.7474
sales.br@cryoind.com • cryoindservice.com

China

Hangzhou, China
+86.571.8869.0788 • Fax +86.571.8869.0715
hci@mail.hz.zj.cn • cryoindservice.com

Europe

D-79415 Bad Bellingen Germany
+49.7635.8105.0 • Fax: +49.7635.8965
info@acdryo.com • acdryo.com

India

Vadodara, Gujarat, India
+91.265.283 0113 • Fax +91.265.283 0112
npatel@acdllc.com • acdcom.com

Korea

Yongin-si, Gyeonggi-do, Korea
+82.31.286.6114 • Fax +82.31.286.6118
info@ci-korea.co.kr • cryoindservice.com

Malaysia

Shah Alam, Selangor D.Ehsan, Malaysia
+603.5740.8770 • Fax +603.5740.8775
sales@cimalaysia.com • cryoindservice.com

Bulletin No. ACD P1100-R3.09

Para más información comuníquese al
305.888.5353
o al correo electrónico
info@intltec.com



INTERNATIONAL TECHNISYSTEMS INC.