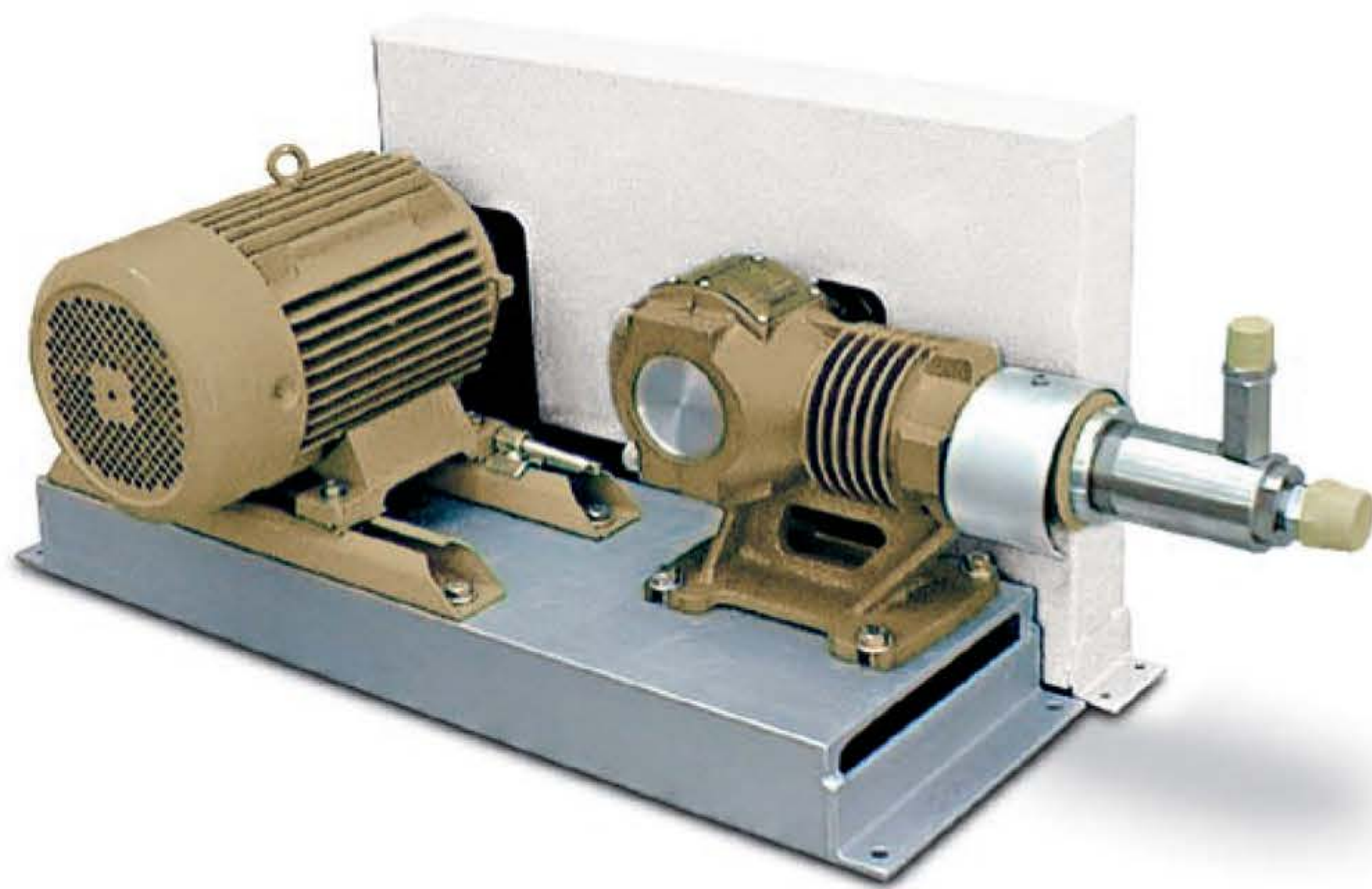


MODEL RPSA

CYLINDER FILLING PUMP



SPECIFICATIONS: STANDARD RPSA MODELS

bore x stroke	in	1.57, 1.77 x .79	1.57, 1.77 x 1.26
	(mm)	(40, 45 x 20)	(40, 45 x 32)
Maximum Flow Rate	gpm	2.2 – 3.6	2.8 – 4.5
	lpm	8.5 – 13.5	10.5 – 17
Pump Design Rating	hp	10	15
	kw	7.5	11
Maximum Discharge Pressure	psi	1,740	1,740
	bar	120	120
Maximum Suction Pressure	psi	435	435
	bar	30	30

60 HZ performance



FEATURES & BENEFITS

- Tungsten carbide coated piston helps increase the life of the seals
- Simple cold end design assembly for easy maintenance
- Heavy duty grease lubricated drive for longer life and less maintenance (regreasing not necessary)
- Pump packing is adjusted through a large access port for easy adjustments and extended packing life

APPLICATIONS

- Carbon dioxide cylinder filling
- Nitrous oxide cylinder filling

OPTIONAL ACCESSORIES

- Manifold
- Suction hose
- Suction strainer (shipped loose)
- Control panel

LIQUIDS PUMPED

- Carbon dioxide
- Nitrous oxide

TYPICAL SCOPE OF SUPPLY

- Cold end, grease lubricated drive assembly, and electric motor
- Galvanized steel base plate with belt guard
- Surge chamber and relief valve

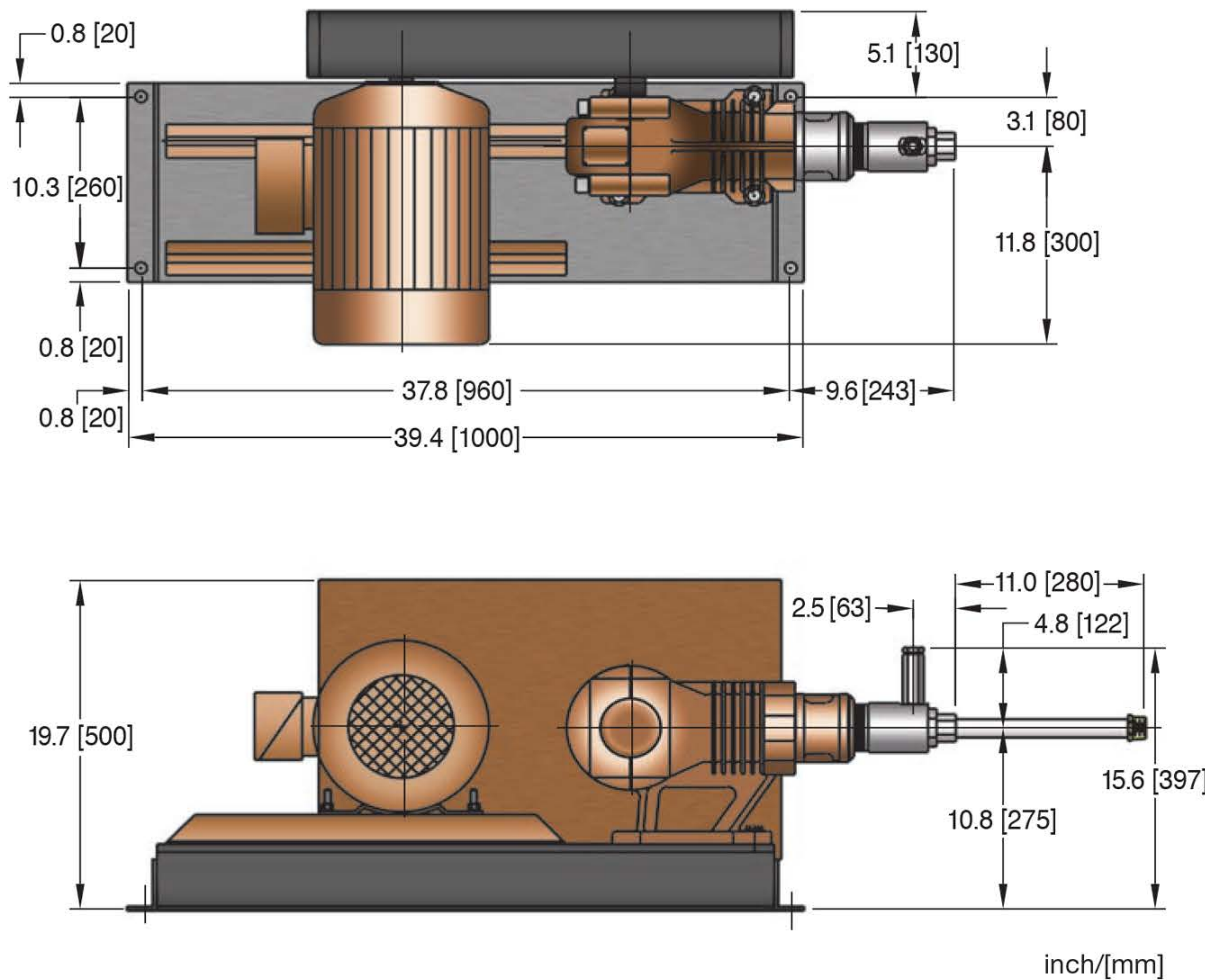
Para más información comuníquese al
305.888.5353
o al correo electrónico
info@intltec.com



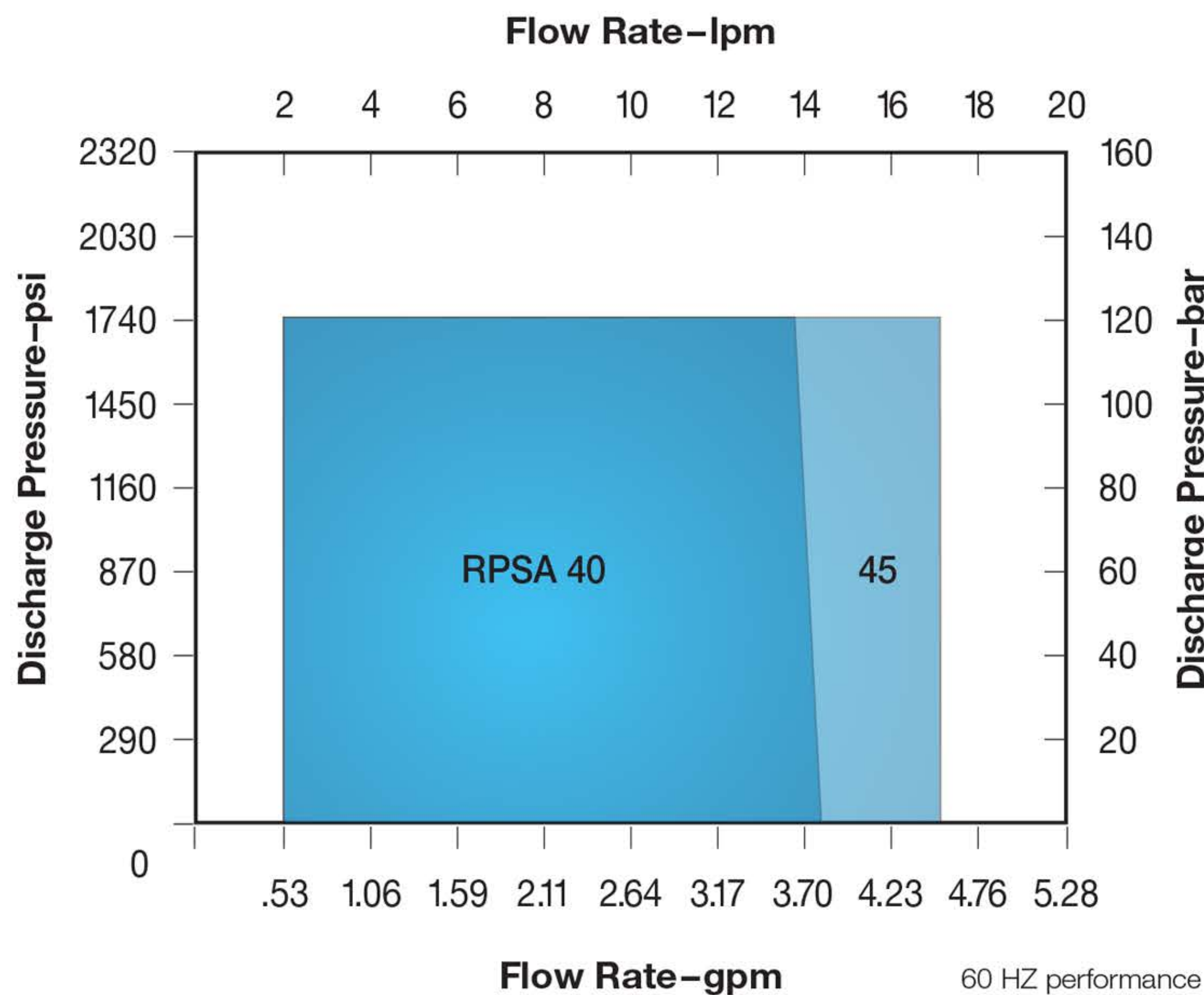
**INTERNATIONAL
TECHNISYSTEMS INC.**

MODEL RPSA

OVERALL DIMENSIONS: TYPICAL RPSA SKID



PUMP PERFORMANCE MAP



MANUFACTURING



2321 S. Pullman Street
Santa Ana, CA 92705 USA
Tel 800.525.4216 (USA only)
Tel +1.949.261.7533
Fax +1.949.261.6285
acd@acdllc.com • acdllc.com



Gutenbergstrasse 1
CH-4142 Muenchenstein Switzerland
Tel: +41.61.413.0230
Fax: +41.61.413.0233
sales@acdryo.com • acdryo.com

GLOBAL SERVICE

NORTH AMERICA

Atlanta

Atlanta, Georgia, USA
+1 404.696.8113 • Fax +1 404.696.8116
sales@cryoatlanta.com • cryoindservice.com

California

Santa Ana, California, USA
+1 949.724.8636 • Fax +1 714.641.1921
sales@cryocal.com • cryoindservice.com

Houston

Houston, Texas, USA
+1 281.590.4800 • Fax +1 281.590.4801
sales@cihouston.com • cryoindservice.com

Pittsburgh

Imperial, Pennsylvania, USA
+1 724.695.1910 • Fax +1 724.695.1926
pittcryo@pittcryogenic.com • cryoindservice.com

Red Deer

Red Deer, Alberta, Canada
+1.403.352.4436 • Fax +1.403.352.4439
sales@cryocanada.com • cryoindservice.com

Toronto

Toronto, Ontario, Canada
+1 416.502.1950 • Fax +1 416.502.1952
info@cryocanada.com • cryoindservice.com

INTERNATIONAL

Australia

Dandenong, Victoria, Australia
+61.3.9791.7888 • Fax +61.3.9769.2788
sales.au@cryoquip.com • cryoquip.com

Brasil

São Paulo - SP, Brasil
+55 11 2341.7474
sales.br@cryoind.com • cryoindservice.com

China

Hangzhou, China
+86.571.8869.0788 • Fax +86.571.8869.0715
hci@mail.hz.zj.cn • cryoindservice.com

Europe

D-79415 Bad Bellingen Germany
+49.7635.8105.0 • Fax: +49.7635.8965
info@acdryo.com • acdryo.com

India

Vadodara, Gujarat, India
+91.265.283 0113 • Fax +91.265.283 0112
npatel@acdllc.com • acdcom.com

Korea

Yongin-si, Gyeonggi-do, Korea
+82.31.286.6114 • Fax +82.31.286.6118
info@ci-korea.co.kr • cryoindservice.com

Malaysia

Shah Alam, Selangor D.Ehsan, Malaysia
+603.5740.8770 • Fax +603.5740.8775
sales@cimalaysia.com • cryoindservice.com

Bulletin No. ACD RPSA-R3.09

Para más información comuníquese al
305.888.5353
o al correo electrónico
info@intltec.com



INTERNATIONAL TECHNISYSTEMS INC.