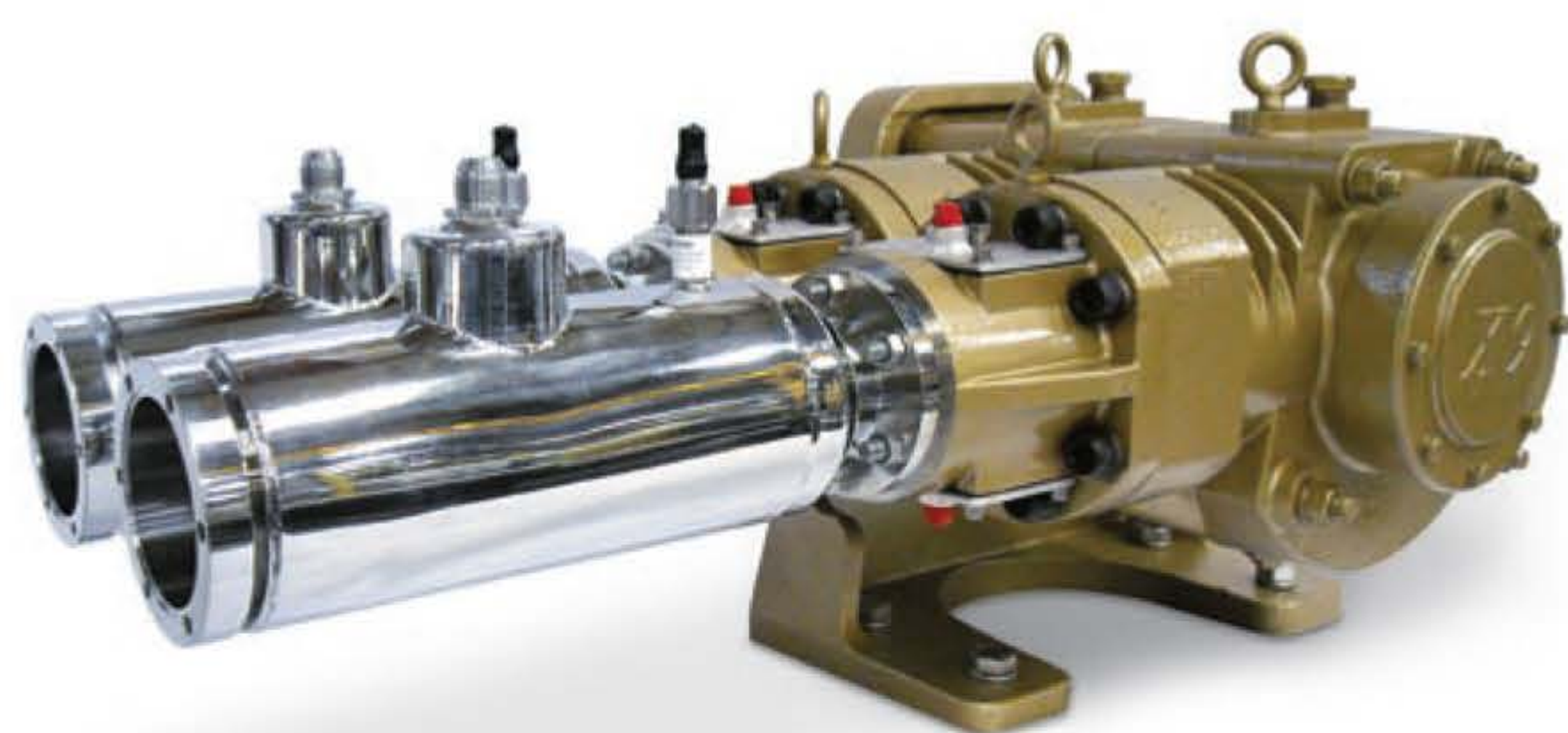


MODEL X9



Typical 2-X9



See through window



SPECIFICATIONS: X9 - SGV COLD ENDS

bore x stroke	in	1.25 x 1.38	1.625 x 1.38	1.97 x 1.38
	(mm)	(32 x 35)	(41 x 35)	(50 x 35)
Flow Rate	gpm	1 – 15	2 – 25	3 – 37
	lpm	5 – 55	8 – 95	12 – 140
	LH ₂ gpm	1 – 11	2 – 18	3 – 27
Pump Design Rating	hp	15 – 200	15 – 200	15 – 200
	kw	11 – 150	11 – 150	11 – 150
Maximum Discharge Pressure	psi	10,000*	6,000*	6,000*
	bar	690	414	414
NPSPR	psi	10	5	5
	bar	0.70	0.35	0.35

* LOX limited to 4,000 psi as standard.
Contact ACD for higher pressure applications.

FEATURES & BENEFITS

- Modular design (1,2,3 cylinders) provides wide range of flow rates
- Splash oil lubrication extends drive end life
- Multiple cold end capability (SGV/NOVA/GA) allows for interchangeability and flexibility at the customer's specific flow and pressure requirements
- Drive end design uses existing SGV components providing proven technology, reliability, and standardization

APPLICATIONS

- Storage filling
- Heavy duty cylinder filling
- LH₂ process
- L/CNG fueling systems

LIQUIDS PUMPED

N₂, O₂, Ar, H₂, Methane (LNG)

OPTIONAL ACCESSORIES

- Vacuum jacketed suction adapter, non-LH₂ applications
- Control panel – manual or automatic, relay or PLC
- Loss of prime detection (cavitation protection)
- Cool down lock-up control
- Purge kit for drive end & intermediate
- ASME relief valve
- Modern accumulator (surge chamber) coil design meets global design requirements and minimizes pulsation factors

Para más información comuníquese al
305.888.5353
o al correo electrónico
info@intltec.com

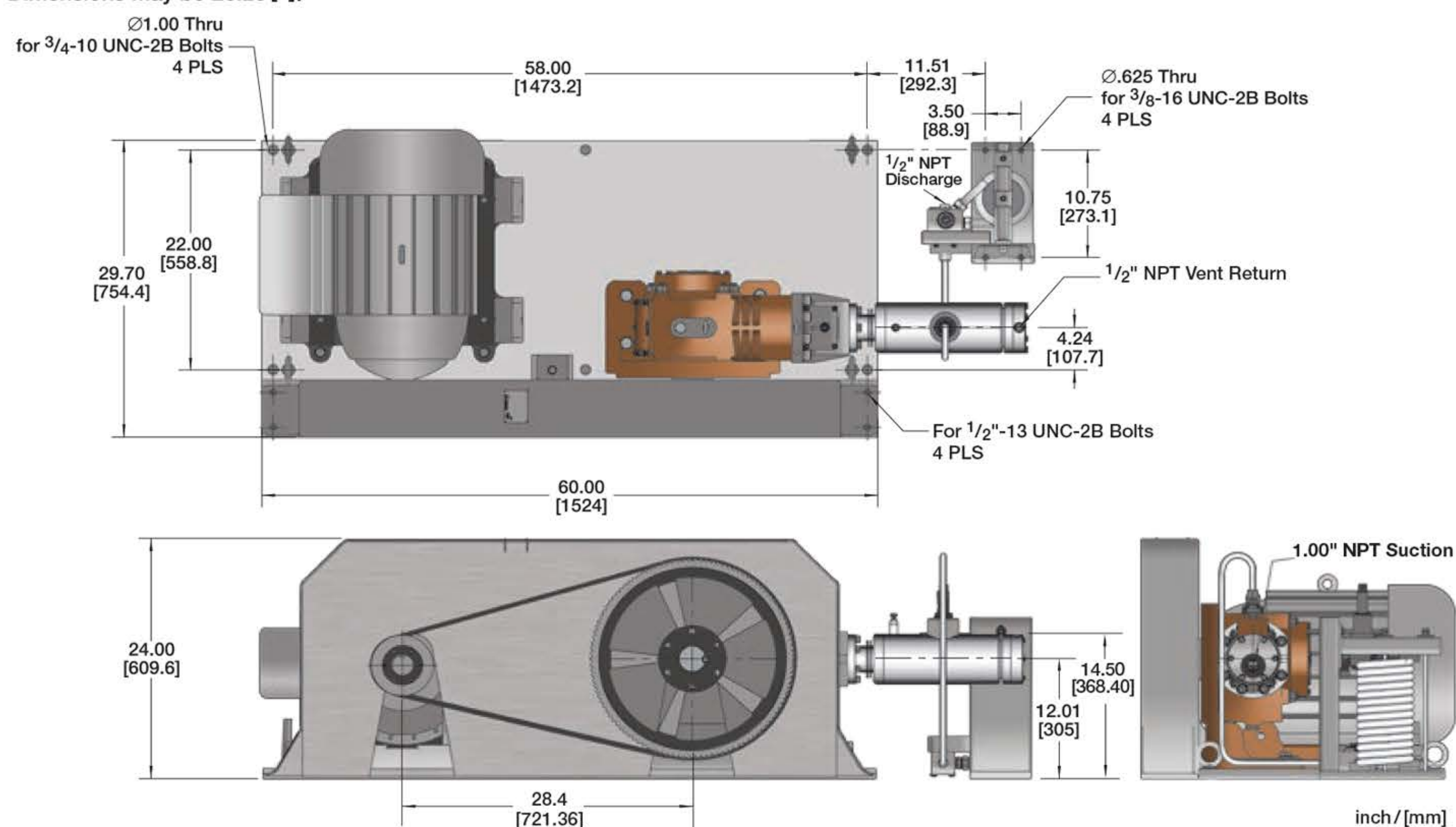


**INTERNATIONAL
TECHNISYSTEMS INC.**

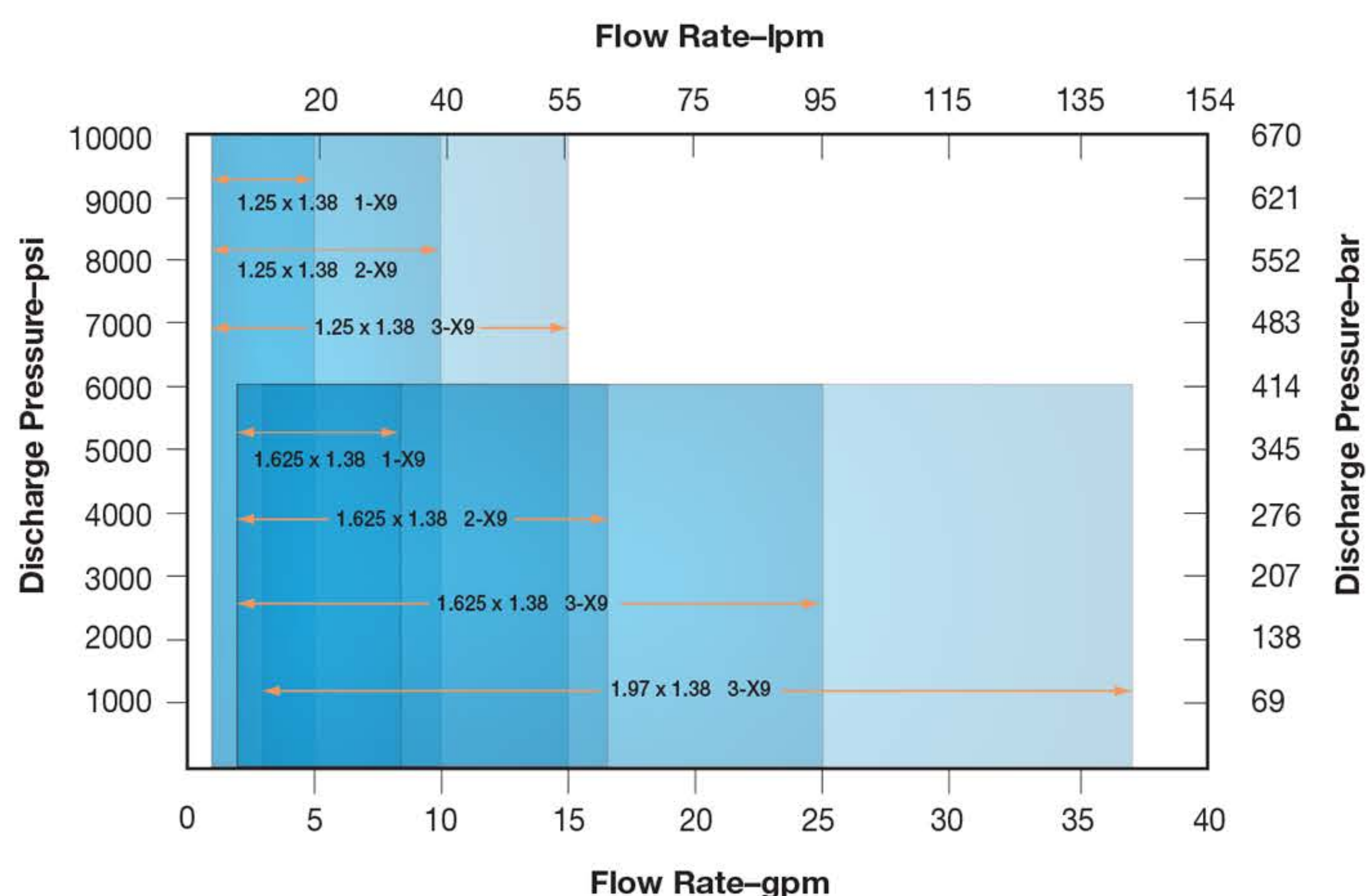
MODEL X9

OVERALL DIMENSIONS: TYPICAL 1-X9 SKID

Note: Unless otherwise specified
Dimensions may be ± 0.25 [6].



PUMP PERFORMANCE MAP



Note: LOX limited to 4,000 psi

TYPICAL SCOPE OF SUPPLY

- Foot-mount pump with vacuum jacketed cold end
- Standard suction adapter with monel strainer
- Distance piece for purge ports
- Base mounting plate
- TEFC motor (shipped with loose belt guard) to be affixed to concrete separately, on-site
- High pressure relief valve and coiled tubing accumulator (shipped loose to be affixed to concrete separately, on-site)
- LH₂ applications:
 - Drip pan
 - Vacuum jacketed suction adapter
- Suction/Discharge manifold for modular (2 or 3 cylinders) pumps

MANUFACTURING



2321 S. Pullman Street
Santa Ana, CA 92705 USA
Tel 800.525.4216 (USA only)
Tel +1.949.261.7533
Fax +1.949.261.6285
acd@acdllc.com • acdllc.com



Gutenbergstrasse 1
CH-4142 Muenchenstein Switzerland
Tel: +41.61.413.0230
Fax: +41.61.413.0233
sales@acdryo.com • acdryo.com

GLOBAL SERVICE

NORTH AMERICA

Atlanta

Atlanta, Georgia, USA
+1 404.696.8113 • Fax +1 404.696.8116
sales@cryoatlanta.com • cryoindservice.com

California

Santa Ana, California, USA
+1 949.724.8636 • Fax +1 714.641.1921
sales@cryocal.com • cryoindservice.com

Houston

Houston, Texas, USA
+1 281.590.4800 • Fax +1 281.590.4801
sales@cihouston.com • cryoindservice.com

Pittsburgh

Imperial, Pennsylvania, USA
+1 724.695.1910 • Fax +1 724.695.1926
pittcryo@pittcryogenic.com • cryoindservice.com

Red Deer

Red Deer, Alberta, Canada
+1.403.352.4436 • Fax +1.403.352.4439
sales@cryocanada.com • cryoindservice.com

Toronto

Toronto, Ontario, Canada
+1 416.502.1950 • Fax +1 416.502.1952
info@cryocanada.com • cryoindservice.com

INTERNATIONAL

Australia

Dandenong, Victoria, Australia
+61.3.9791.7888 • Fax +61.3.9769.2788
sales.au@cryoquip.com • cryoquip.com

Brasil

São Paulo - SP, Brasil
+55 11 2341.7474
sales.br@cryoind.com • cryoind.com

China

Hangzhou, China
+86.571.8869.0788 • Fax +86.571.8869.0715
hci@mail.hz.zj.cn • cryoind.com

Europe

D-79415 Bad Bellingen Germany
+49.7635.8105.0 • Fax: +49.7635.8965
info@acdryo.com • acdryo.com

India

Vadodara, Gujarat, India
+91.265.283 0113 • Fax +91.265.283 0112
npatel@acdllc.com • acdcom.com

Korea

Yongin-si, Gyeonggi-do, Korea
+82.31.286.6114 • Fax +82.31.286.6118
info@ci-korea.co.kr • ci-korea.co.kr

Malaysia

Shah Alam, Selangor D.Ehsan, Malaysia
+603.5740.8770 • Fax +603.5740.8775
sales@cimalaysia.com • cimalaysia.com

Bulletin No. ACD X9-R1.09

Para más información comuníquese al
305.888.5353
o al correo electrónico
info@intltec.com



INTERNATIONAL TECHNISYSTEMS INC.