

Valves for Cryogenic Service

Type 01311 - Globe Valve



Cryogenic-Globe and Globe/Check Valves, PN50

Bronze body and topwork
 "live loaded" gland packing
 "cleaned and degreased for oxygen service"

Part No. 01311.X.0010 (H=270mm)

Part No. 01311.X.0020 (H=370mm)

Part No. 01311.X.5010 (H=270mm) Globe/Check Valve

Part No. 01311.X.5020 (H=370mm) Globe/Check Valve

Socket end for copper stubs acc. to DIN EN 12449 or ASTM B88

Available options - on request only:

- Socket end for stainless steel stubs acc. to DIN EN ISO 1127
- Extension H up to 900mm
- Valve with control disc (tapered design)



Applications:

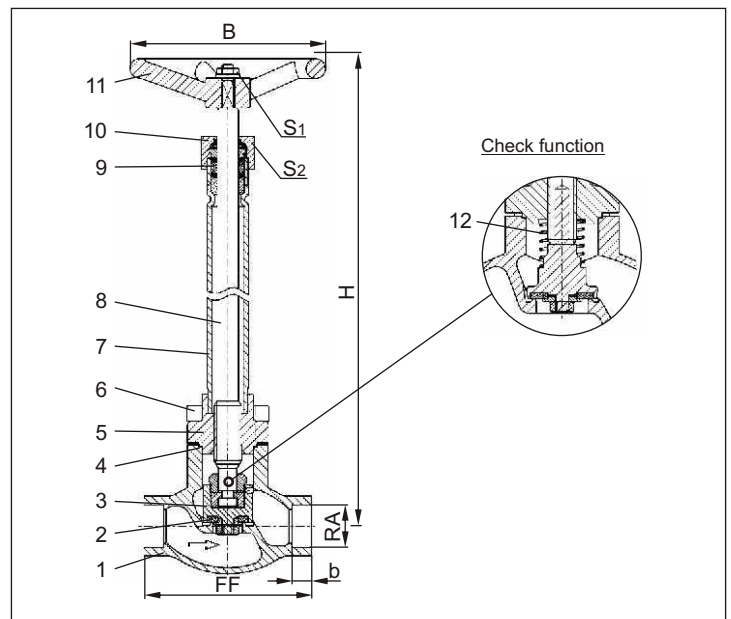
Approved for air gases and cryogenic liquefied gases such as oxygen, nitrogen, krypton, carbon dioxide, argon, dinitrogen monoxide, trifluoromethan, carbon oxide, methane, ethane and ethylene.
 Working temperature: -196°C / -321°F (77K) up to +120°C / +248°F (393K)

Materials	DIN EN	ASTM
1 Body	CC491K	B 62 UNS C83600
2 Valve seal	PTFE / Carbon filled (25%)	
3 Disc	CW612N	B 283 UNS C37700
4 Bonnet gasket	PTFE	
5 Headpiece	CC493K	B 505 UNS C93200
6 Bolts	1.4301/A2	A 194 B8
7 Elongation tube	1.4541	A 213 TP 321
8 Stem	1.4301	A 276 Grade 304
9 Gland packing	Graphite / PTFE	
10 Gland nut	CW612N	B 283 UNS C37700
11 Handwheel	Aluminium alloy	
12 Spring	CW452K	B 103 UNS C51900

Standard marking acc. to Pressure Equipment Directive 97/23/EG (PED).



Marking acc. to Directive 99/36/EG (TPED) will only be carried out by written notice on purchase order.



Type 01311 – Standard design	Technical data								
	Nominal size	DN	10	15	20	25	32	40	50
Dimension code	.X.	X=DNRA, Example: valve DN15 for copper pipe RAØ18mm, X=1518							
Face-to-face dimension	FF	60	85	85	115	115	140	160	
Height	H	270 mm oder 370 mm							
Outside pipe-Ø	RA	dependent on order							
Socket depth	b	6	6	8	8	10	13	20	
Handwheel-Ø	B	80	100	100	100	125	125	125	
Wrench size across flats	S ₁	10	10	10	10	13	13	13	
Wrench size across flats	S ₂	30	30	30	30	36	36	36	
Weight	ca. kg	1.4	1.7	2.1	2.4	3.3	4.7	7.2	
Kvs – Value	m ³ /h	1.6	4.3	6.7	11.5	12.1	22.6	37.1	
Cv – Value	gal /min	1.9	5.0	7.8	13.4	14.1	26.3	43.2	

Dimensions in mm.