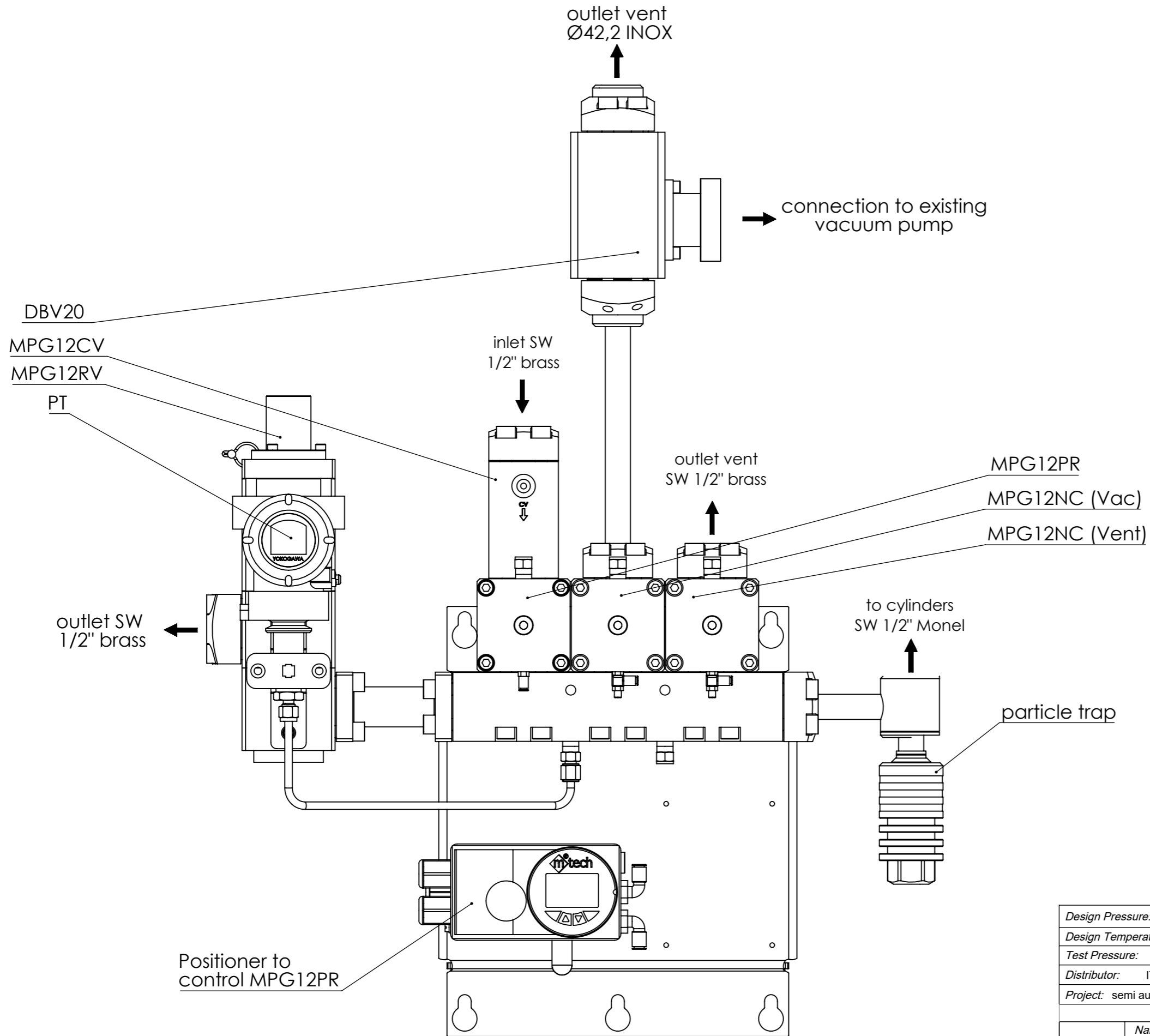


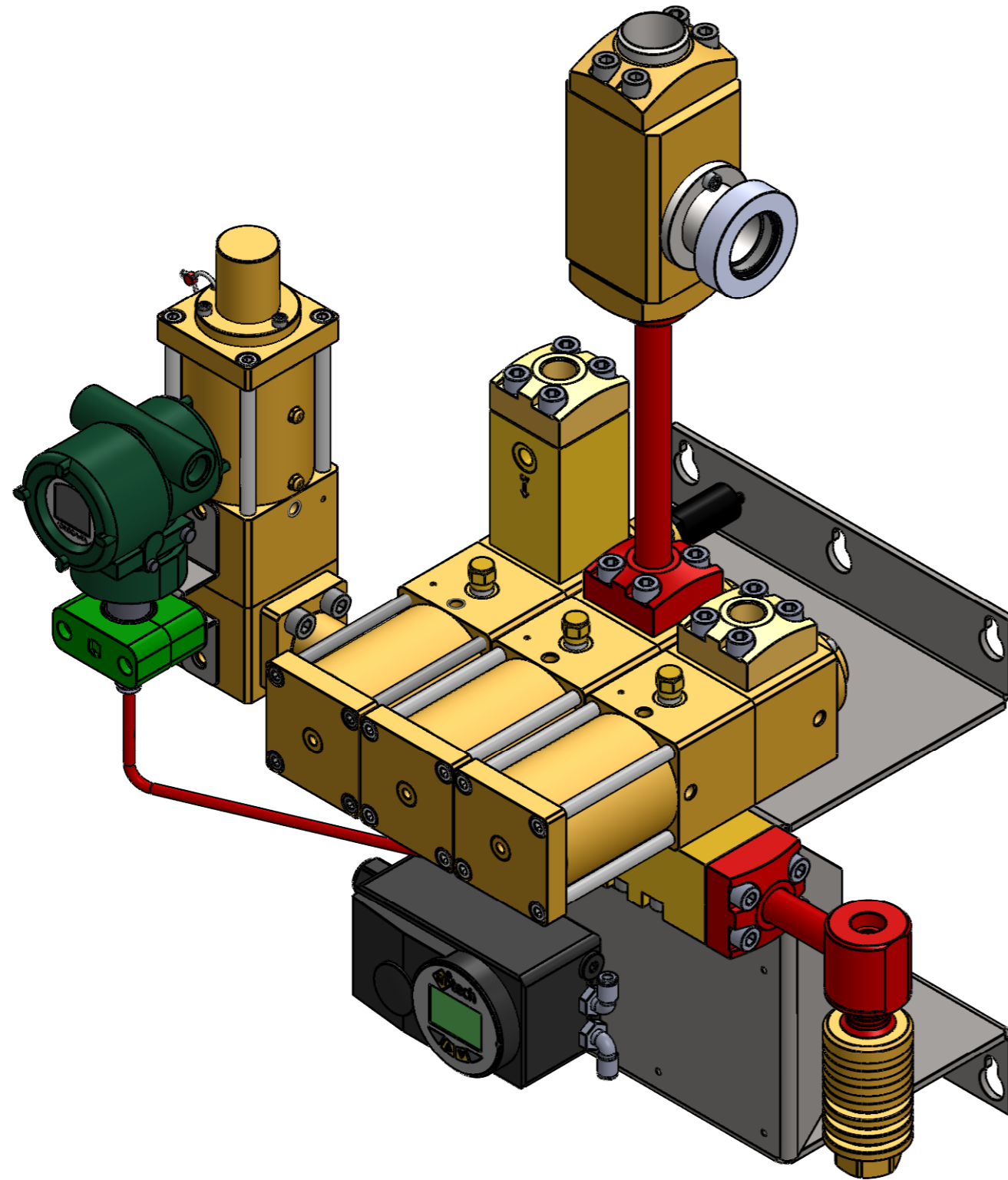
FREIGEgeben

Design Pressure: 420 bar	Rev	Change	Date	Name
Design Temperature: -20°C/+65°C				
Test Pressure: 462 bar				
Distributor: ITS				
Project: semi automatic	A	Monel --> Brass	19.08.2022	CK
Name		Date		
created:	Schmie	22.03.2022	Description: FVV	
checked:	Schmie	29.08.2022	P&ID: -	
Status:	FREIGEgeben		Article number: 15286	
m-tech		Customer: Infra		Customer Country: MX
m-tech gmbh		Customer location: MX		Customer location: MX
Teslastr. 6		Document type:	Drw. name: MT009458	Revision: A.01
D-74670 Forchtenberg		Modul	Weight [g]:	Format: A3
Fon +49(0)7947/939-0 / Fax -010		Plot-date: 29.08.2022	Maßst.: 1:5	Seite 1 von 3



FREIGEGERBEN

Design Pressure:	420 bar	Rev	Change	Date	Name
Design Temperature:	-20°C/+65°C				
Test Pressure:	462 bar				
Distributor:	ITS				
Project:	semi automatic	A	Monel --> Brass	19.08.2022	CK
		Description: FVV			
created:	Schmiegl	22.03.2022	P&ID: -		
checked:	Schmiegl	29.08.2022	Article number: 15286		
Status:	FREIGEGERBEN		Customer: Infra		
		Customer Country: MX		Customer location: MX	
 m-tech gmbh Teslastr. 6 D-74670 Forchtenberg Fon +49/(0)7947/939-0 / Fax -010	Document type:	Drw. name: MT009458		Revision: A.01	
	Modul	Weight [g]:	Format: A3		
Plot-date:		29.08.2022	Maßst.: 1:10		Seite 2 von 3



all red parts are Monel

FREIGEgeben

Design Pressure:	420 bar	Rev	Change	Date	Name
Design Temperature:	-20°C/+65°C				
Test Pressure:	462 bar				
Distributor:	ITS				
Project:	semi automatic	A	Monel --> Brass	19.08.2022	CK
		Description: FVV			
created:	Schmie	22.03.2022	P&ID: -		
checked:	Schmie	29.08.2022	Article number: 15286		
Status:	FREIGEgeben		Customer: Infra		
			Customer Country: MX Customer location: MX		
m-tech		Document type:		Revision:	
m-tech gmbh Teslastr. 6 D-74670 Forchtenberg Fon +49/(0)7947/939-0 / Fax -010		Drw. name: MT009458		A.01	
		Modul Weight [g]:		Format: A3	
Plot-date: 29.08.2022		Maßst.: 1:10		Seite 3 von 3	