
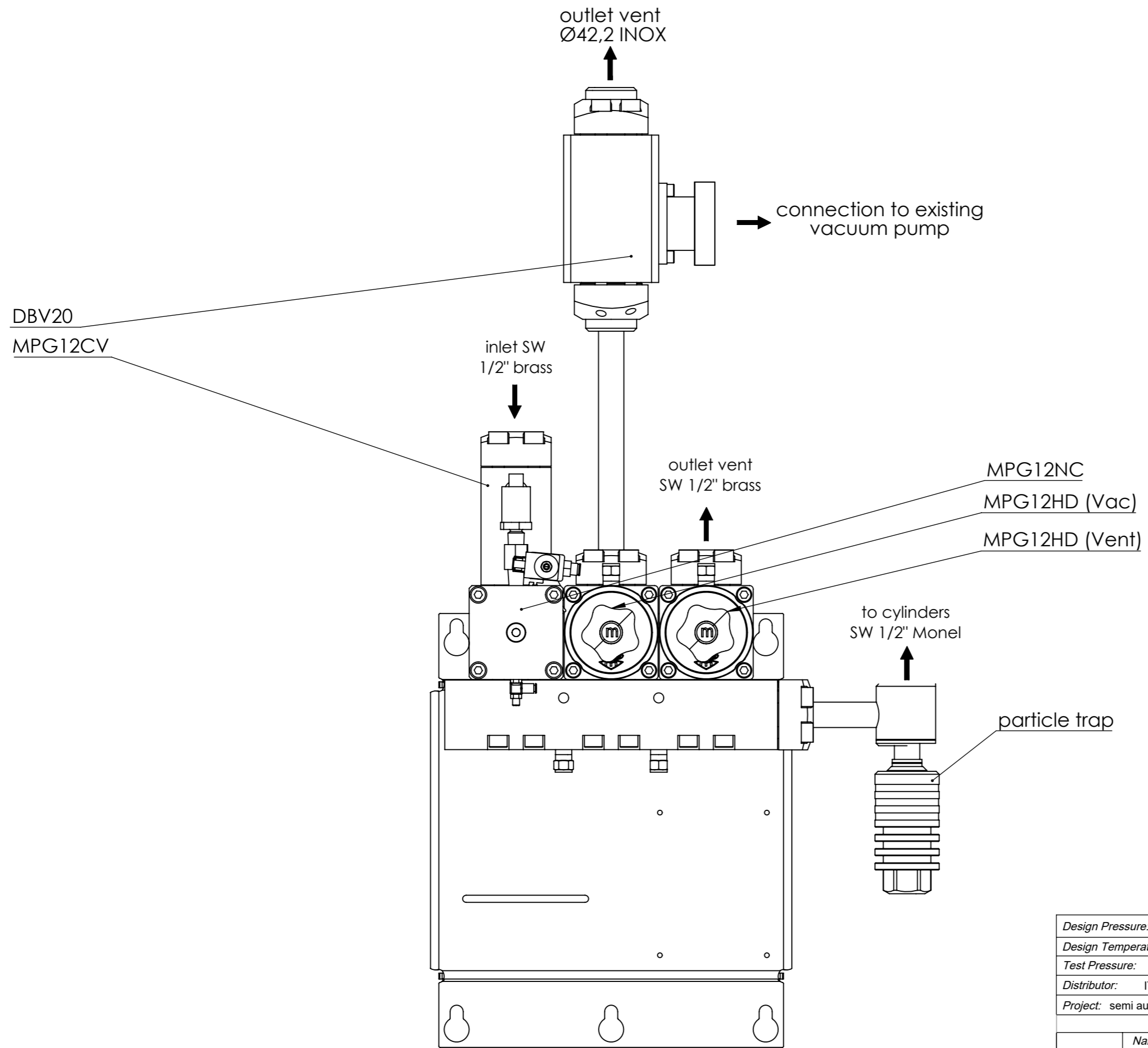


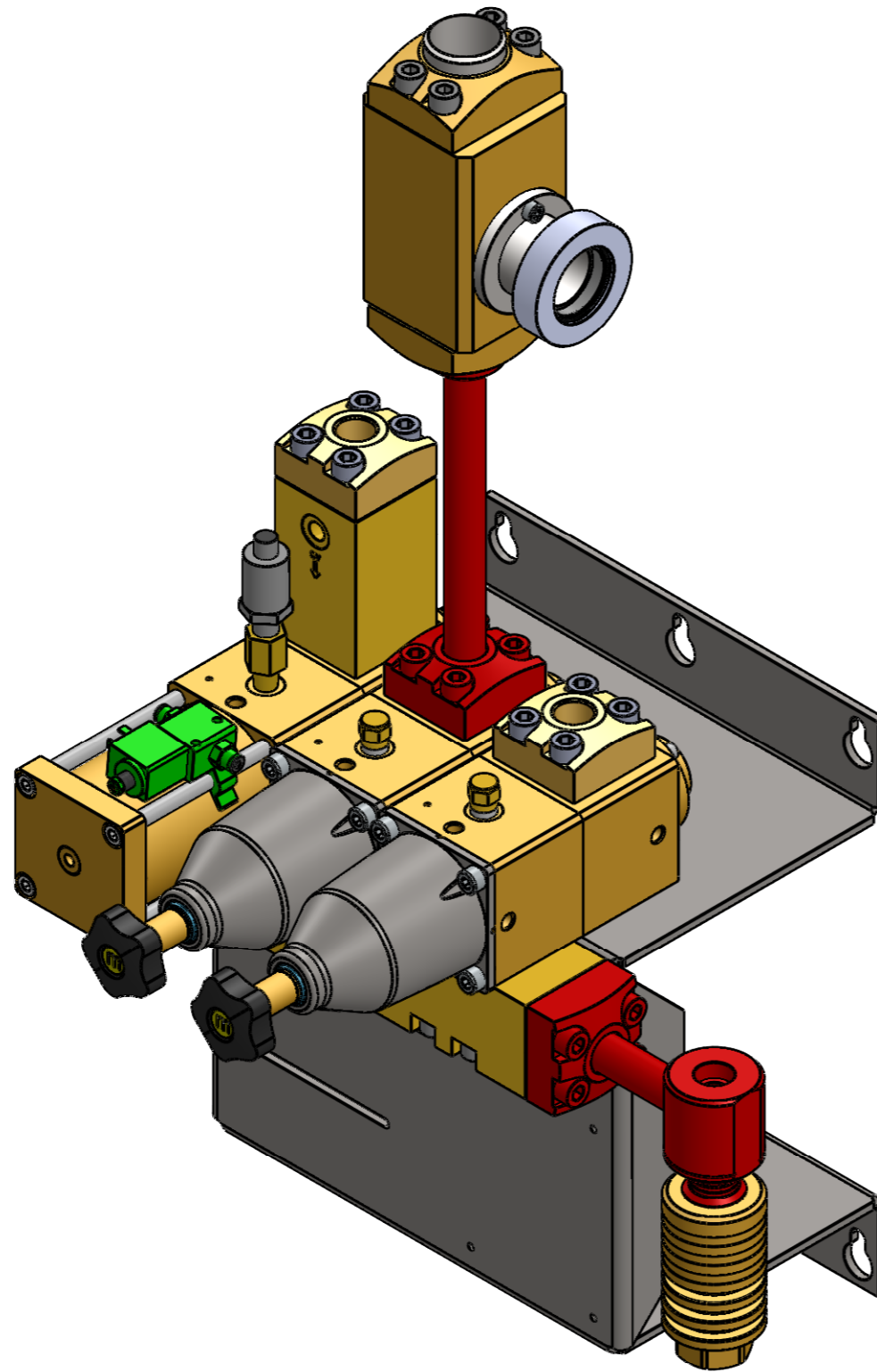
FREIGEgeben

Design Pressure:	420 bar	Rev	Change	Date	Name								
Design Temperature:	-												
Test Pressure:	462 bar												
Distributor:	ITS												
Project:	semi automatic												
<table border="1"> <thead> <tr> <th>Name</th> <th>Date</th> </tr> </thead> <tbody> <tr> <td>created: C.König</td> <td>28.07.2022</td> </tr> <tr> <td>checked: Schmiegl</td> <td>29.08.2022</td> </tr> <tr> <td>Status:</td> <td>FREIGEgeben</td> </tr> </tbody> </table>		Name	Date	created: C.König	28.07.2022	checked: Schmiegl	29.08.2022	Status:	FREIGEgeben	Description: FVV P&ID: - Article number: -x- Customer: Infra Customer Country: MX Customer location: MX			
Name	Date												
created: C.König	28.07.2022												
checked: Schmiegl	29.08.2022												
Status:	FREIGEgeben												
 m-tech gmbh Teslastr. 6 D-74670 Forchtenberg Fon +49/(0)7947/939-0 / Fax -010		Document type:	Drw. name: MT010047		Revision:								
		Modul	Weight [g]:	Format: A3									
Plot-date:		29.08.2022	Maßst.: 1:5	Seite 1 von 3									

FREIGEgeben



Design Pressure:	420 bar	Rev	Change	Date	Name
Design Temperature:	-				
Test Pressure:	462 bar				
Distributor:	ITS				
Project:	semi automatic				
		Description: FVV			
created:	C.König 28.07.2022	P&ID: -			
checked:	Schmieg 29.08.2022	Article number: -x-			
Status:	FREIGEgeben	Customer: Infra			
		Customer Country: MX Customer location: MX			
m-tech		Document type:	Drw. name: MT010047		Revision:
m-tech gmbh Teslastr. 6 D-74670 Forchtenberg Fon +49/(0)7947/939-0 / Fax -010		Modul	Weight [g]:	Format: A3	
		Plot-date:	29.08.2022	Maßst.: 1:10	Seite 2 von 3



all red parts are Monel

FREIGEgeben

Design Pressure: 420 bar		Rev	Change	Date	Name
Design Temperature: -					
Test Pressure: 462 bar					
Distributor: ITS					
Project: semi automatic					
		Description: FVV			
		P&ID: -			
created: C.König 28.07.2022		Article number: -x-			
checked: Schmiegl 29.08.2022		Customer: Infra			
Status: FREIGEgeben		Customer Country: MX Customer location: MX			
m-tech		Document type: Modul		Revision:	
m-tech gmbh Teslastr. 6 D-74670 Forchtenberg Fon +49/(0)7947/939-0 / Fax -010		Drw. name: MT010047		Weight [g]:	
		Format: A3			
		Plot-date: 29.08.2022		Maßst.: 1:10 Seite 3 von 3	